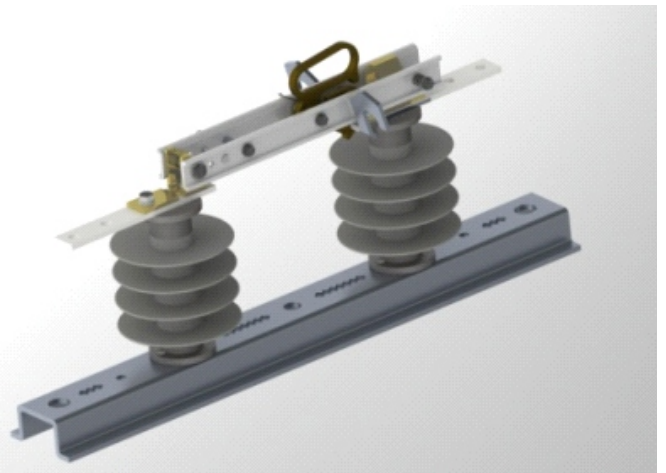
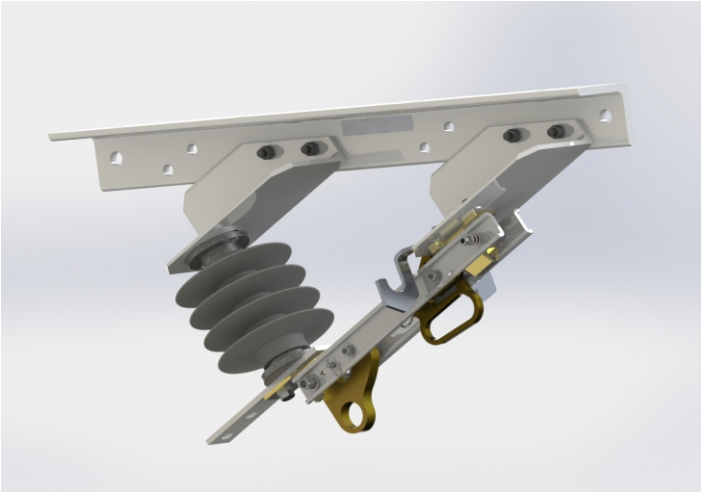




ALUMA-FORM®

Hookstick Switch Catalog



RUS Approved





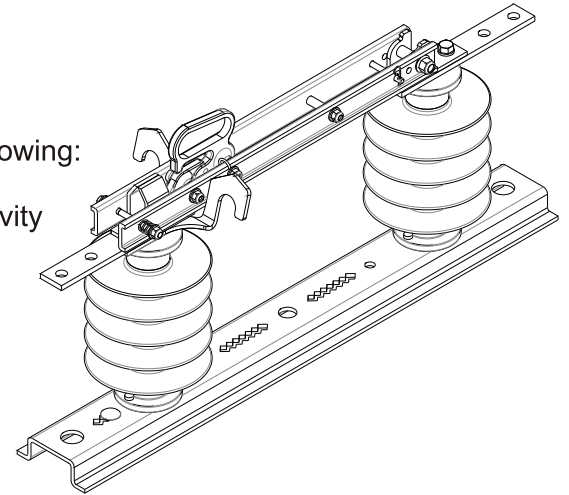
ALUMA-FORM[®]

Hookstick-operated Disconnect Switch

Hookstick-operated Disconnect Switch

The Aluma-Form “HDS” switches are a best in class design that is a simple and reliable. Our hookstick operated disconnects feature the following:

- Silver plated blade assembly that provides superior electrical conductivity
- Blade design that provides mechanical rigidity
- Silver plated contact designed to maintain contact pressure
- Positive latch, effective pry-out mechanism
- Precision formed hinge terminal for low resistance connection
- Integral 90° blade stop

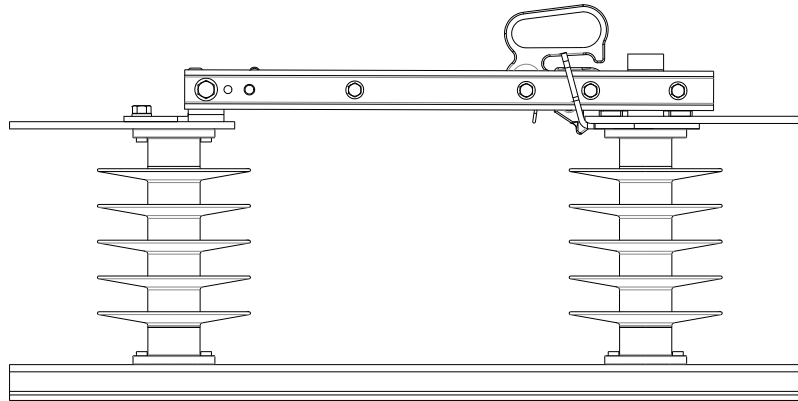


Application

The Aluma-Form “HDS” Disconnect Switch is a single-phase hookstick operated switch for manual switching of overhead lines on electrical distribution systems up to 38kV. Our HDS switches have ratings for 600 or 900 amps continuous, 40,000 amps momentary and 25,000 amps sym. 1-second short-time withstand.

Operation

All Aluma-Form “HDS” disconnect switches include loadbreak hooks which are for use with a loadbreak tool for opening the switch under load. **WARNING:** To open the switch under load, use only an approved loadbreak tool and refer to the tool manufacturer for instructions. Silver-plated blades and contacts enhance efficient current transfer

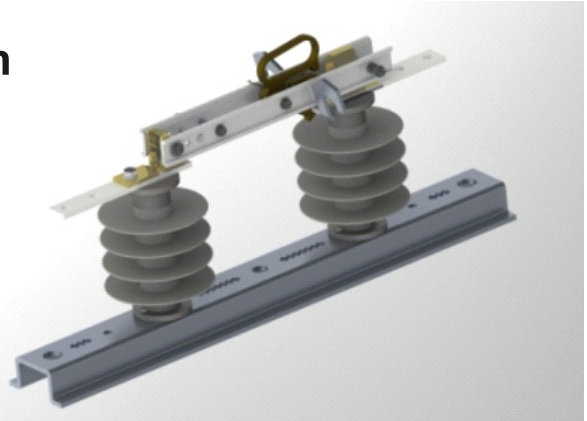


kV Class	Rated BIL	Material	Switch Electrical Ratings				Insulator Mechanical Ratings			
			Leakage distance (inches)	Dry Arc distance (inches)	60 Hz - Flashover (kV)		Cantilever Load (lbs)	Tension (lbs)	Torsion (lbs)	Compression (lbs)
					Wet	Dry				
15	110	Silicone	17.2	7.1	30	38	1,200	5,000	3,000	5,000
		Porcelain	10.5	6	30	38	1,200	5,000	3,000	5,000
27	125	Silicone	21.9	8.1	50	60	1,000	5,000	3,000	5,000
		Porcelain	15.5	7	50	60	1,000	5,000	3,000	5,000
38	150	Silicone	28	10	60	70	800	5,000	3,000	5,000
		Porcelain	24	9.5	60	70	800	5,000	3,000	5,000



Hookstick-operated Disconnect Switch

Hookstick-operated Disconnect Switch



HDS - 600A - 15S - 110 - A S 2 A - P - M

Hookstick
Disconnect
Switch

600 Amp
900 Amp

15kV Silicone
27kV Silicone
38kV Silicone

110 kV BIL
125 kV BIL
150 kV BIL
200 kV BIL

A - Aluminum Base
D - Galvanized Steel Base

T - Serrated Slots
S - Smooth Slots
AL Base Only

0 - No Hardware
1 - Four 3/8" x 8" Carriage Bolts
2 - Four 3/8" x 10" Carriage Bolts
3 - Four 1/2" x 10" Hex Bolts

N - No Backplate
D - Galvanized Steel Backplate
A - Aluminum Backplate

P - Aluminum Parallel Groove Clamp
H - SS Captive Hdwe -
(4) 1/2x2-1/2" Bolt, Washers & Nut
R - Bypass Stud
U - Universal 4 Hole Nema Pad
T - "T" Terminal

L - Pull to Open/Pull to Close Lever
V - Visual Indicator
C - Corrosion Resistant
(SST, Hardware, Alum Insulator Posts,
SST Loadbuster Hook)
M - Marine Grade
(316SST, Si Bronze Hardware, Tin Plated
Al Mounts, 316SS Insulator Terminals)



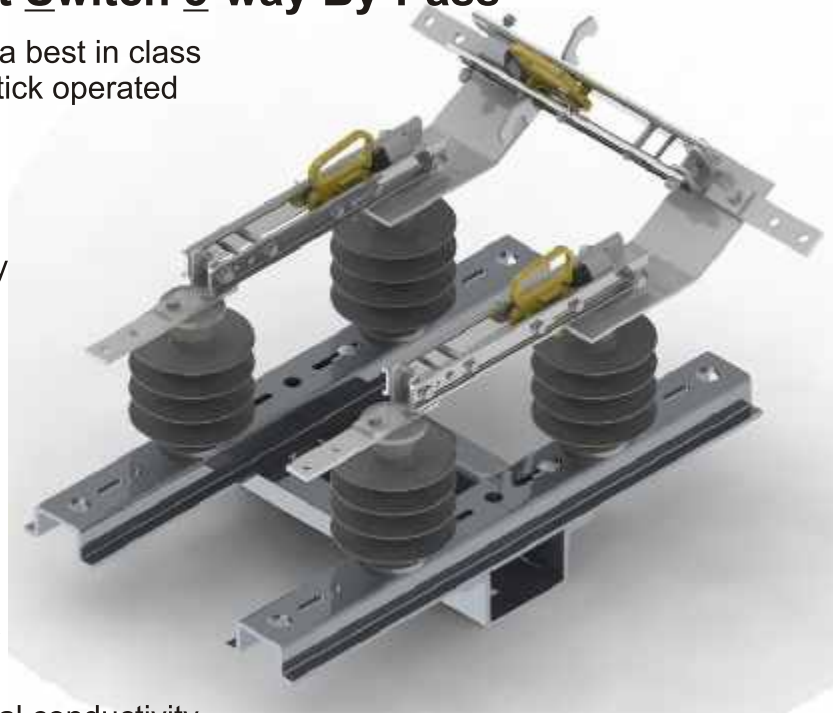
ALUMA-FORM®

Hookstick-operated Disconnect Switch

Hookstick-operated Disconnect Switch 3-way By-Pass

The Aluma-Form “**HDS3**” bypass switches are a best in class design that is a simple and reliable. Our hookstick operated bypass switch feature the following:

- Silver plated blade assembly that provides superior electrical conductivity
- Blade design that provides mechanical rigidity
- Silver plated contact designed to maintain contact pressure
- Easy blade opening & closing (longest mechanical advantage)
- Precision formed hinge terminal for low Resistance connection
- Positive latch, effective pry-out mechanism
- Integral 90° blade stop

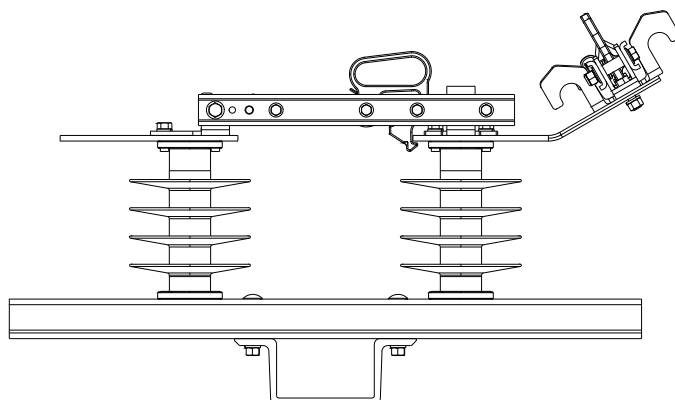


The **HDS3** bypass switch offers a large area of contact with our Blade (unique cathedral design) at the upper connection point for optimal conductivity and temperature rise Lightweight Aluminum Base – Standard (20-40% Lighter)

Our **HDS3** bypass switch also offers a contact design that avoids any areas for trapped ice to interfere with blade structure. Large formed galvanized steel load buster hook optimally positioned for easy loadbuster tool attachment and removal after opening.

Operation

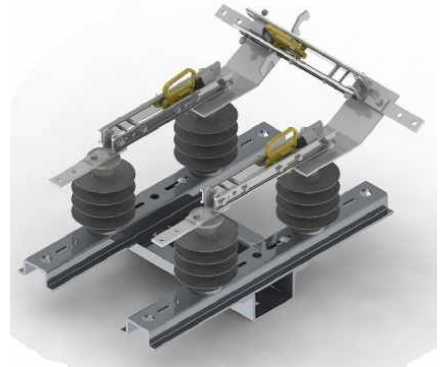
All Aluma-Form “**HDS3**” bypass switches include loadbreak hooks which are for use with a loadbreak tool for opening the switch under load. **WARNING:** To open the switch under load, use only an approved loadbreak tool and refer to the tool manufacturer for instructions.





Hookstick-operated Disconnect Switch

Hookstick-operated Disconnect Switch 3-way By-Pass



HDS3 - 600A - R30 - 15S - 110 - 1S - N N L

Hookstick Disconnect Switch 3-Way
600 Amp 900 Amp
<i>By-Pass Blade Opening</i> Right Hand Left Hand
<i>By-Pass Blade Angle</i> 00 - Straight 30 - 30 Degree
15kv 27kv 38kv
Silicone
110 kV BIL 125 kV BIL 150 kV BIL 200 kV BIL

1 - One Hook at By-Pass Only 3 - Hooks at All Locations
<i>Terminal Options</i> S - Straight A - 30 Degrees B - 45 Degrees C - Customer
<i>Hardware & Connector Options</i> N - None H - SS Captive Hdwe (4) 1/2x2-1/2" Bolt, Washers & Nuts P - Aluminum Parallel Groove Clamp R - Bypass Stud U - Universal 4 Hole Nema Pad T - "T" Shape Terminal
<i>Mounting Options</i> N - None B - Back Plate (w/ 4 - 1/2x10" HDG Bolts) P - Pole Mounting Bracket
<i>Other Options</i> L - Pull to Open/Pull to Close Lever V - Visual Indicator C - Corrosion Resistant (SST Hdw, Alum Ins Post, SST Loadbuster Hooks) M - Marine Grade (316SS & Si Bronze Hdw. Tin plated Al Mounts, 316SS Insulator Terminals)



ALUMA-FORM®

Single Insulated Disconnect Switch

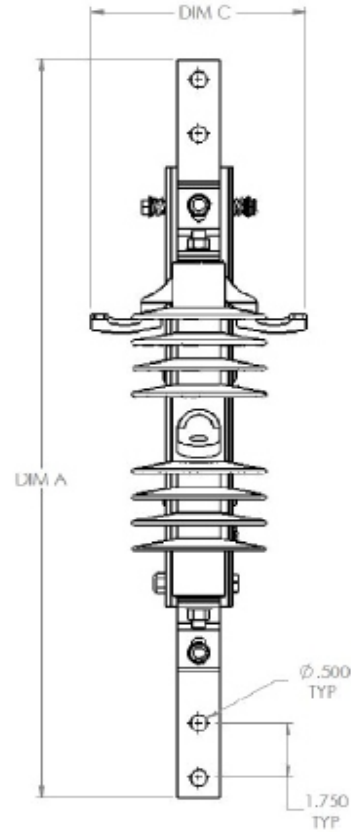
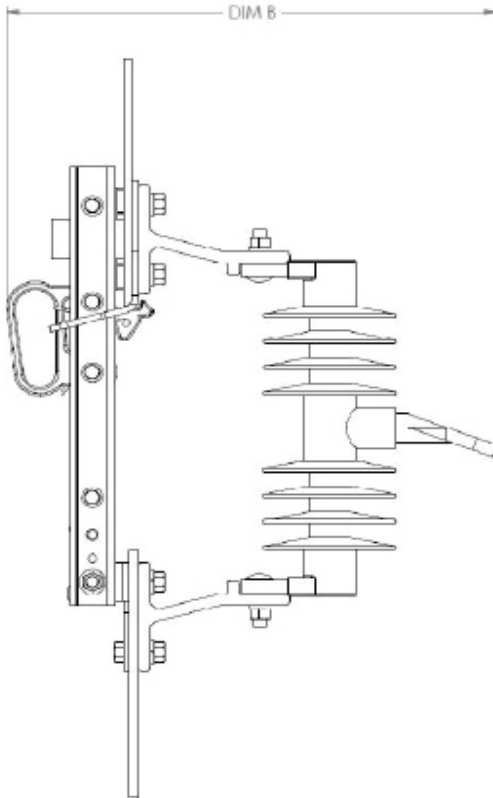


<u>HDS</u>	-	<u>600A</u>	-	<u>SI</u>	-	<u>15</u>	<u>S</u>	-	<u>110</u>	-	<u>N</u>	<u>B</u>
Hookstick Disconnect Switch		Amperage Rating		Switch Type		Insulation Rating	Insulator Material		Insulator BIL Rating		Terminal Options	Mounting Options
		600A		Single		15-15kV	P- Porcelain		110 kV BIL		N = None	B - Nema B
		900A		Insulator		27-27kV	S- Silicone		125 kV BIL		P - Aluminum Parallel Groove Clamp	X - Extended Nema B
						35-35kV			150 kV BIL		H - SS Captive Hdwe - (4) 1/2x2-1/2" Bolt, Washers & Nut	N - No Bracket
									170 kV BIL		R - Bypass Stud	
											U - Universal 4 Hole Nema Pad	
											T - "T" Terminal	



ALUMA-FORM®

Single Insulated Disconnect Switch

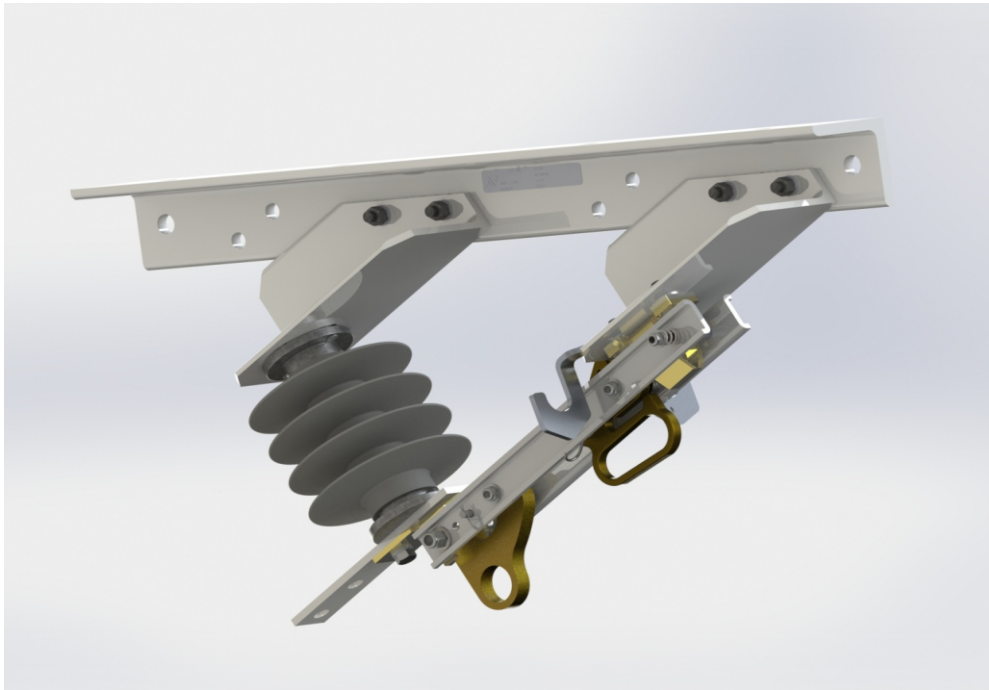


Kv Rating	Rated BIL	Amp	Material	Dim A	Dim B	Dim C	Switch Electrical Ratings	
							Mom. kA	3 Sec kA
15	110	600	Silicon	24"	14.75"	6.5"	40	25
15	110	900	Silicon	24"	14.75"	6.5"	40	25
27	125	600	Silicon	28"	14"	6.5"	40	25
27	125	900	Silicon	28"	14"	6.5"	40	25
35	150	600	Silicon	28"	14.75"	6.5"	40	25
35	150	900	Silicon	28"	14.75"	6.5"	40	25



ALUMA-FORM®

Line Tap Switch



Features of Aluma-Form Line Tap Switch

15kv, 28kv and 35kv Ratings Available in both 600A and 900A
Available in Porcelain and Polymer
Silver Plated Blades and Hinges
Tin Plated Contacts
Best Electrical Conductivity
Corrosion Resistant Style Available
Multiple Hanger Options
Pull to Open and Pull to Close Optional Handle



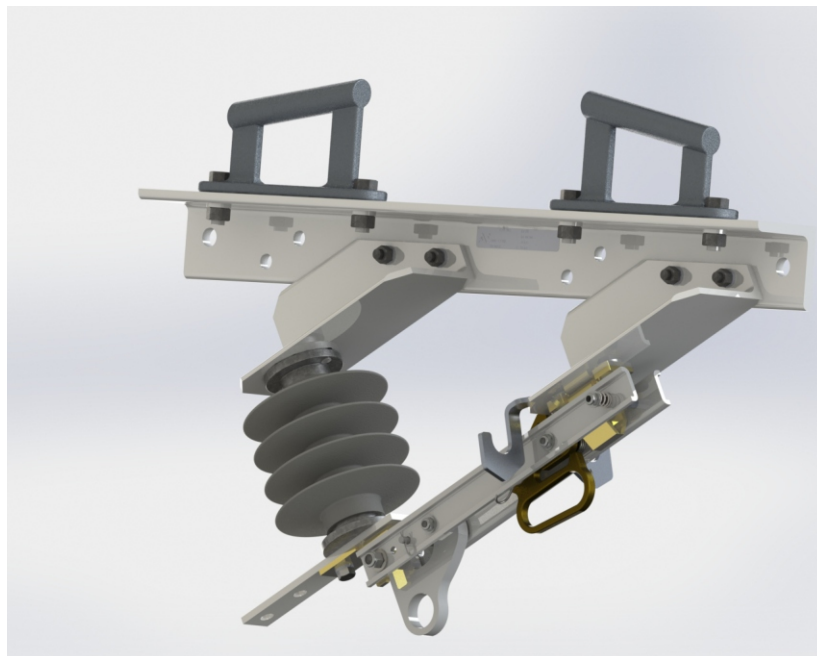
ALUMA-FORM®

Line Tap Switch

Catalog Number System

HDS - 600A - LT - 15 S - 110 - P - 50 - L

Disconnect Switch	Amperage Rating	Switch Type	Insulation Rating	Insulator Material	Insulator BIL Rating	Terminal Options	Hanger Options	Other Options
	600A	LT - Line Tap	15 - 15kV	S - Silicone	110 - 110kV BIL	N - None	50 - 1/2" Hangers	L - Pull to Open / Pull to Close Lever
	900A		27 - 27kV		125 - 125kV BIL	P - Aluminum Parallel Groove Clamp	75 - 3/4" Hangers	V - Visual Indicator
			35 - 35kV		150 - 150kV BIL	H - SS Captive Hdwe - (4) 1/2x2-1/2" Bolt, Washers & Nut	100 - 1" Hangers	C - Corrosion Resistant (SST, Hardware, Alum Insulator Posts, SST Loadbuster Hook)
					200 - 200kV BIL	R - Bypass Stud		M - Marine Grade (316SS & Si Bronze Hdwe, Tin Plated Al Mounts, 316SS Insulator Terminals)
						U - Universal 4 Hole Nema Pad		
						T - "T" Terminal		



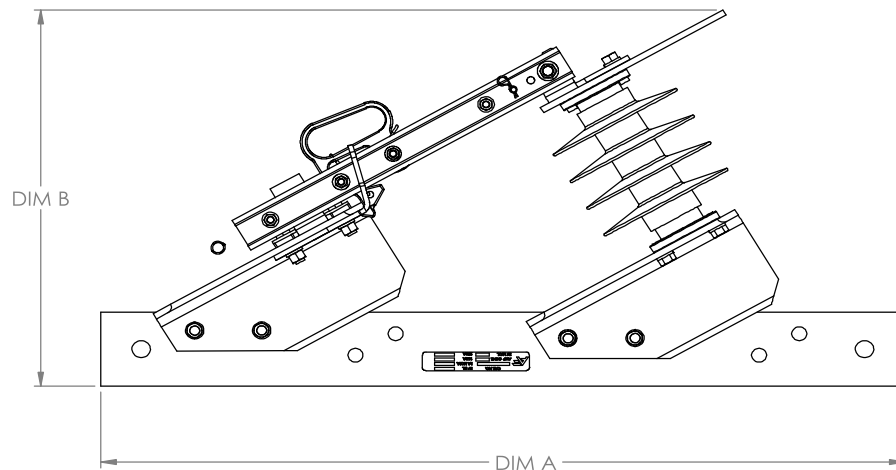
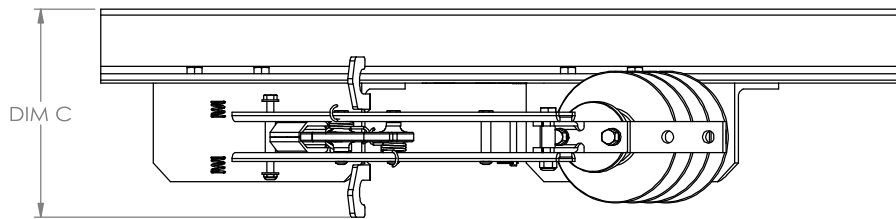


ALUMA-FORM®

Line Tap Switch

Technical Data

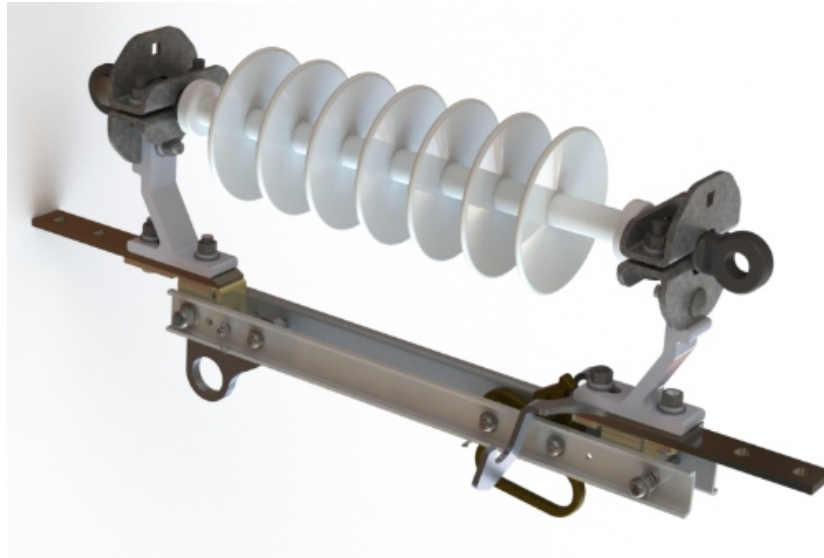
Kv Rating	Rated BIL	Amp	Material	Dim A	Dim B	Dim C	Switch Electrical Ratings	
							Mom. kA	3 Sec kA
15	110	600	Silicon	30"	15.5"	8.5"	40	25
15	110	900	Silicon	30"	15.5"	8.5"	40	25
27	125	600	Silicon	34"	17"	8.5"	40	25
27	125	900	Silicon	34"	17"	8.5"	40	25
27	150	600	Silicon	36"	18"	8.5"	40	25
27	150	900	Silicon	36"	18"	8.5"	40	25
35	150	600	Silicon	36"	18"	8.5"	40	25
35	150	900	Silicon	36"	18"	8.5"	40	25





ALUMA-FORM®

In-Line Switch



Features of Aluma-Form In-Line Switch

- Comes standard with the “Pull to Close” handle
- Uses the 200 BIL 35kV DEI
- Single switch rated for 15, 27, and 35 kV
- Offered in 600A and 900A
- Same terminal options as all other switches
- Same component features as all other switches (i.e silver plated blades, contact, etc)
- Offered in Standard, Corrosion Resistant, and Marine Grade offered:
 - Standard – Hot dip galvanized hardware (ASTM A153)
 - Corrosion Resistant – 304 & 18-8 stainless steel hardware
 - Marine Grade – 316 stainless steel hardware with tin plate aluminum components



ALUMA-FORM®

In-Line Switch

Catalog Number System

HDS - 600A - IN - 35 S - 200 - N - L

Disconnect Switch	Amperage Rating	Switch Type	Insulation Rating	Insulator Material	Insulator BIL Rating	Terminal Options	Other Options
	600A	IN - In Line Switch	35 - 15-35kV	S - Silicone	200 - 200kV BIL	N - None	L - Pull to Open / Pull to Close Lever
	900A					P - Aluminum Parallel Groove Clamp	V - Visual Indicator
						H - SS Captive Hdwe - (4) 1/2x2-1/2" Bolt, Washers & Nut	C - Corrosion Resistant (SST, Hardware, Alum Insulator Posts, SST Loadbuster Hook)
						R - Bypass Stud	M - Marine Grade (316SS & Si Bronze Hdwe, Tin Plated Al Mounts, 316SS Insulator Terminals)
						U - Universal 4 Hole Nema Pad	
						T - "T" Terminal	





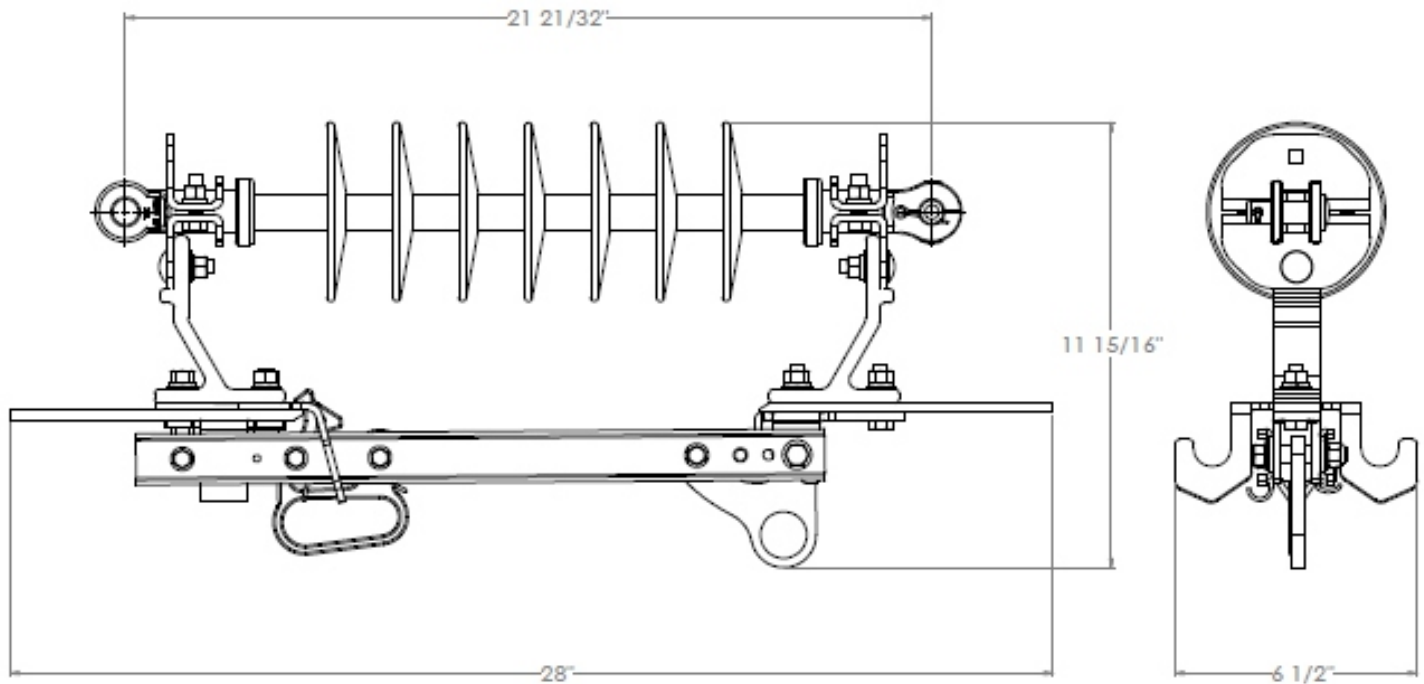
ALUMA-FORM®

In-Line Switch

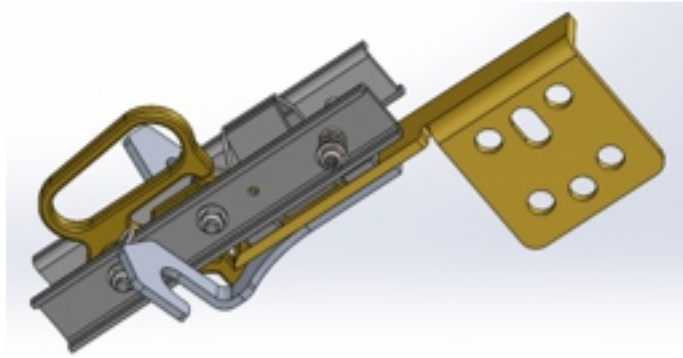
Technical Data

KV Class	Continuous Current Rating (Amp)	BIL (LIW)	Leakage Distance	AC Withstand (Dry)	AC Withstand (Wet)	CFO (Pos.)	Tensile (Ultimate)	Momentary Current Rating (asymmetrical)	Short Time Withstand Current (1 sec) (symmetrical)
38kV **	600A	200 BIL	37.6	170	155	280	15,000 lbs	40,000A	25,000A
38kV **	900A	200 BIL	37.6	170	155	280	15,000 lbs	40,000A	25,000A

** distribution voltages up to 38kV



Terminal Options



Universal Terminal



"T" Terminal



By-Pass Stud



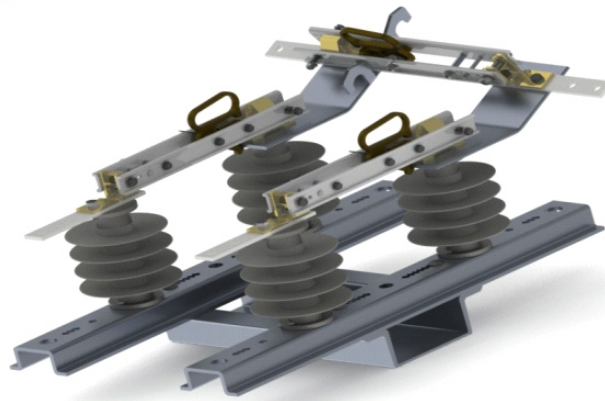
ALUMA-FORM®



Memphis, TN



Walnut, MS



Aluma-Form, Inc.

3625 Old Getwell Road
Memphis, TN 38118
W - (901) 362-0100 ext 1153
C - (901) 937-9174
www.alumaform.com