



SECTIONALIZING ENCLOSURES

SINGLE & THREE-PHASE



ALUMA-FORM specializes in innovative,
custom-engineered overhead utility and
communications solutions.

WE ARE ALUMA-FORM®

WE ARE **QUALITY PARTS**

Our reputation for excellence is based on 50 years of manufacturing done right and we bring that experience to every industry-leading product we design and manufacture.

WE ARE **INNOVATIVE SOLUTIONS**

Our engineering teams have an extensive range of expertise and are equipped with the latest in product development and manufacturing technology so our customers get the most innovative solutions possible.

WE ARE **SUPERIOR SUPPORT**

Our unique management-owned structure and lean management style means that our customers get the support and attention they need.

OUR PRESENCE



MEMPHIS, TN

260,000 square foot facility:

- 160,000 square feet for manufacturing
- 100,000 square feet for raw material storage

WALNUT, MS

200,000 square foot facility:

- 80,000 square feet for manufacturing
- 120,000 square feet for raw material storage



COPE, SC

180,000 square foot facility:

- 60,000 square feet for manufacturing
- 120,000 square feet for raw material storage

CALGARY, ALBERTA

65,000 square foot facility:

- 35,000 square feet for manufacturing
- 30,000 square feet for raw material storage

GLOBAL CAPABILITIES

As an industry leader we continue to design, develop, and engineer new products for the utility market. From our plants in North America we are able to provide materials all over the world. With projects and distribution channels on almost every continent Aluma-Form products are helping power the world.





Our dedicated highly responsive Customer Service, 100,000 square foot Fulfillment Center, and Dedicated Storm Stock at all our plants makes Aluma-Form the manufacturer of choice for our customers during an emergency.

24 HOUR SERVICE

Our customer service representatives are available 24 Hours a Day, 365 Days a Year to provide support and coverage during storms and natural disasters.

BEST-IN-CLASS FULFILLMENT

The Storm Team turns around orders fast. Our 100,000 square foot fulfillment center and dedicated staff use best in class practices and a wide range of transportation partners to delivery product fast and accurately to our customers.

DEDICATED STORM INVENTORY

We rigorously plan and assess our inventory throughout the year to meet customer demand and carry enough excess inventory in case of an emergency.

Each of our facilities carries dedicated storm inventory making sure that no matter what happens, Aluma-Form can respond.

CALGARY, AB

MEMPHIS, TN

COPE, SC

WALNUT, MS



STEEL ENCLOSURES

STEEL ENCLOSURES

Aluma-Form's versatile single and three-phase enclosures provide durable, low-profile installations for sectionalizing, tapping, or terminating underground cable. Our enclosures' fully welded 14 or 12 gauge mild steel construction provides a safe and sturdy product at a competitive price.

Standard Windstop
for safety

Barrel Top Hinge
easy access to electrical components

Stainless Steel Penta-Head Bolt(s)
meets ANSI C57.12.28 for tamperproof

Fully Welded Seams

Stainless Steel Lifting Provisions
for easy installation

All Steel Construction
for superior strength

Light Grey Junction Mounting Bars

Durable Powder Coated Finish
Munsell Green - Exceeds ANSI Standards

Included Grounding Nuts
on mounting bar and back wall

Made In America



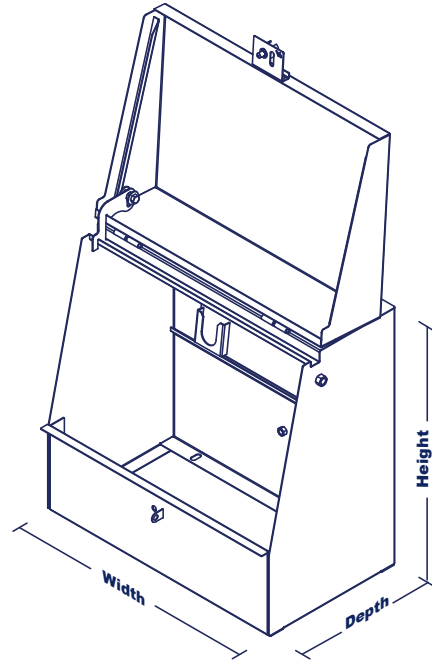
Aluma-Form's enclosures are made in the United States using the latest in manufacturing technology



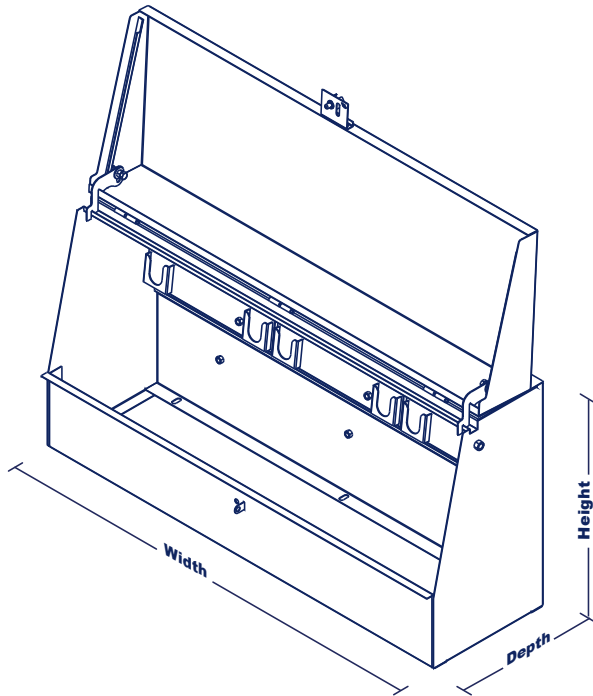
SINGLE PHASE ENCLOSURES

OVERVIEW

Completely welded **steel construction** provides a safe and durable design at a competitive price. Available for use on single-phase systems that are rated **200A** or **600A** and **15kV** through **35kV**.



| AF CAT # | DESCRIPTION | MATERIAL | HEIGHT (IN) | WIDTH (IN) | DEPTH (IN) |
|---------------------|--|----------------|----------------|---------------|---------------|
| ENC-SC1-302618-S1-G | ENCLOSURE SECTIONALIZING 1PH 18D x 26W x 30H STD GAUGE | 14 Gauge Steel | 30 | 26 | 18 |
| ENC-SC1-303018-S1-G | ENCLOSURE SECTIONALIZING 1PH 18D X 30W X 30H STD GAUGE | 14 Gauge Steel | 30 | 30 | 18 |
| ENC-SC1-303622-S2-G | ENCLOSURE SECTIONALIZING 1PH 22D X 36W X 30H HVY GAUGE | 12 Gauge Steel | 30 | 36 | 22 |



THREE PHASE ENCLOSURES

OVERVIEW

Completely welded **steel construction** provides a safe and durable design at a competitive price. Available for use on three-phase systems that are rated **200A** or **600A** and **15kV** through **35kV**.

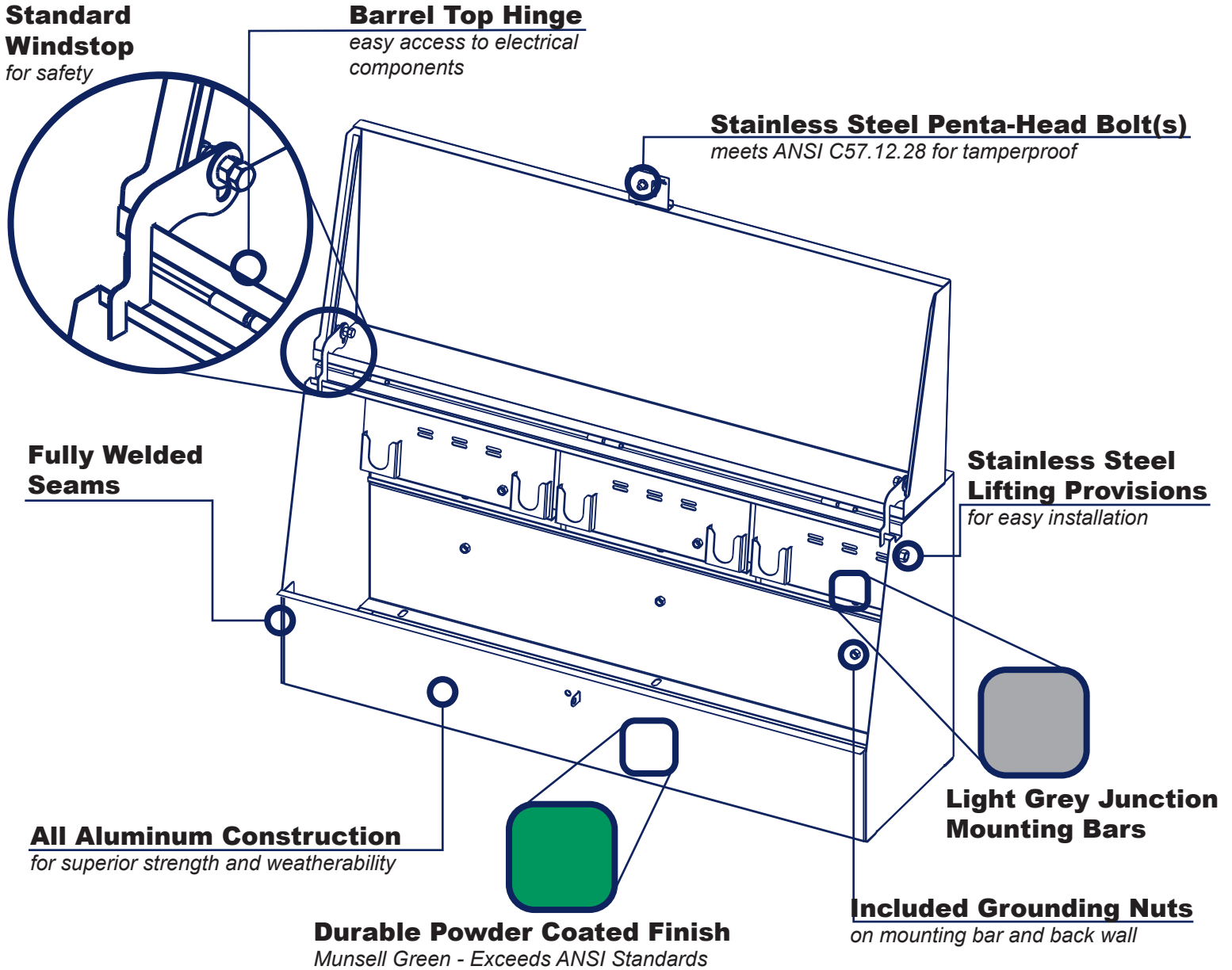
| AF CAT # | DESCRIPTION | MATERIAL | HEIGHT (IN) | WIDTH (IN) | DEPTH (IN) |
|---------------------|--|----------------|----------------|---------------|---------------|
| ENC-SC3-304822-S2-G | ENCLOSURE SECTIONALIZING 3PH 22D X 48W X 30H HVY GAUGE | 12 Gauge Steel | 30 | 48 | 22 |
| ENC-SC3-304824-S2-G | ENCLOSURE SECTIONALIZING 3PH 24D X 48W X 30H HVY GAUGE | 12 Gauge Steel | 30 | 48 | 24 |
| ENC-SC3-306018-S1-G | ENCLOSURE SECTIONALIZING 3PH 18D X 60W X 30H STD GAUGE | 14 Gauge Steel | 30 | 60 | 18 |
| ENC-SC3-306622-S2-G | ENCLOSURE SECTIONALIZING 3PH 22D X 66W X 30H HVY GAUGE | 12 Gauge Steel | 30 | 66 | 22 |



ALUMINUM ENCLOSURES

ALUMINUM ENCLOSURES

Aluma-Form's versatile single and three-phase enclosures provide lightweight, low-profile installations for sectionalizing, tapping, or terminating underground cable. Our enclosures' fully welded aluminum construction provides a safe and durable alternative to steel at a competitive price all while having superior weatherability and a much lighter overall weight.



Made In America



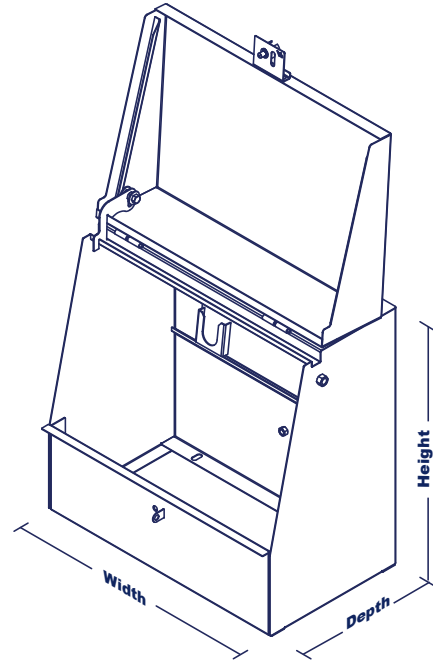
Aluma-Form's enclosures are made in the United States using the latest in manufacturing technology



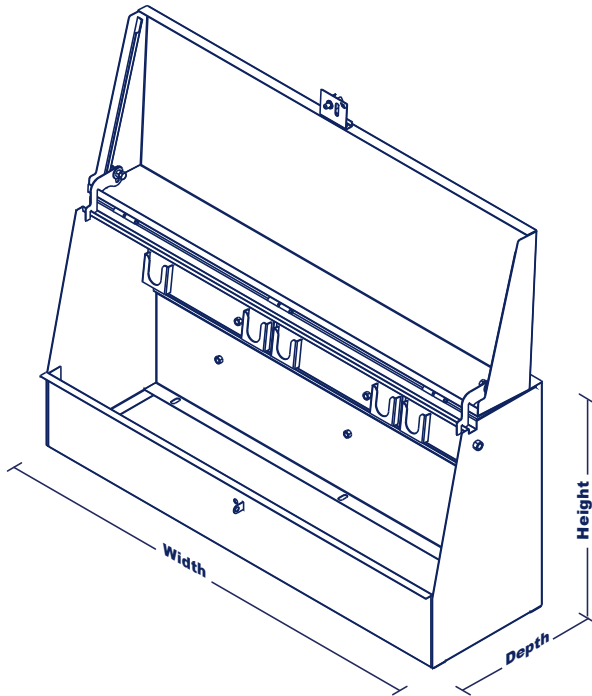
SINGLE PHASE ENCLOSURES

OVERVIEW

Completely welded **aluminum construction** provides a safe, light and durable design at a price that is competitive with steel. Available for use on single-phase systems that are rated **200A** or **600A** and **15kV** through **35kV**.



| AF CAT # | DESCRIPTION | MATERIAL | HEIGHT (IN) | WIDTH (IN) | DEPTH (IN) |
|---------------------|--|-------------------|----------------|---------------|---------------|
| ENC-SC1-302618-A1-G | ENCLOSURE SECTIONALIZING 1PH 18D x 26W x 30H STD GAUGE | .090" Aluminum | 30 | 26 | 18 |
| ENC-SC1-303018-A1-G | ENCLOSURE SECTIONALIZING 1PH 18D X 30W X 30H STD GAUGE | .090" Aluminum | 30 | 30 | 18 |
| ENC-SC1-303622-A2-G | ENCLOSURE SECTIONALIZING 1PH 22D X 36W X 30H HVY GAUGE | .125" Aluminum | 30 | 36 | 22 |



THREE PHASE ENCLOSURES

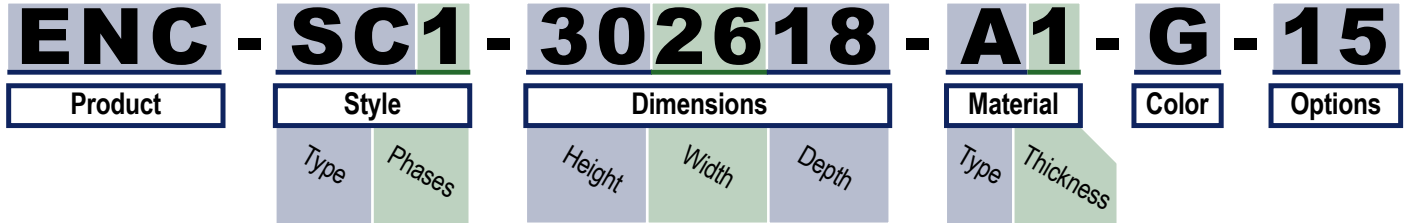
OVERVIEW

Completely welded **aluminum construction** provides a safe, light and durable design at a price that is competitive with steel. Available for use on three-phase systems that are rated **200A** or **600A** and **15kV** through **35kV**.

| AF CAT # | DESCRIPTION | MATERIAL | HEIGHT (IN) | WIDTH (IN) | DEPTH (IN) |
|---------------------|--|-------------------|----------------|---------------|---------------|
| ENC-SC3-304822-A2-G | ENCLOSURE SECTIONALIZING 3PH 22D X 48W X 30H HVY GAUGE | .125" Aluminum | 30 | 48 | 22 |
| ENC-SC3-304824-A2-G | ENCLOSURE SECTIONALIZING 3PH 24D X 48W X 30H HVY GAUGE | .125" Aluminum | 30 | 48 | 24 |
| ENC-SC3-306018-A1-G | ENCLOSURE SECTIONALIZING 3PH 18D X 60W X 30H STD GAUGE | .090" Aluminum | 30 | 60 | 18 |
| ENC-SC3-306622-A2-G | ENCLOSURE SECTIONALIZING 3PH 22D X 66W X 30H HVY GAUGE | .125" Aluminum | 30 | 66 | 22 |

ENCLOSURE CATALOG LEGEND

Custom enclosures are available. Aluma-Form can provide alternate colors and modified dimensions. Please contact your local sales representative for details.



ENCLOSURE CUSTOMIZATIONS

| STYLE | | DIMENSIONS | | | MATERIAL | | COLOR | OPTIONS |
|----------------------------------|-----------------------|---|--|---|--|---|---|--|
| TYPE | PHASES | HEIGHT | WIDTH | DEPTH | TYPE | THICKNESS | | |
| SC Sectionalizing Cabinet | 1 Single Phase | 24 24" | 26 26" | 18 18" | A Aluminum | 1 Std Gauge | G Munsell Green 1 ANSI 70 Gray | Blank None 15 15kV Junction 25 25kV Junction 35 35kV Junction |
| | 3 Three Phase | 30 30" 33 33" 36 36" | 30 30" 36 36" 48 48" 60 60" 66 66" 78 78" 84 84" 98 98" | 22 22" 24 24" 30 30" | S Mild Steel SS Stainless Steel | 1 Aluminum: .090" Steel: 14 Gauge 2 Heavy Gauge Aluminum: .125" Steel: 12 Gauge | | |



ALUMA-FORM®

Aluma-Form, Inc.
3625 Old Getwell Rd.
Memphis TN 38118
901-362-0100
Fax: 901-794-9515

©2020 Aluma-Form, Inc.