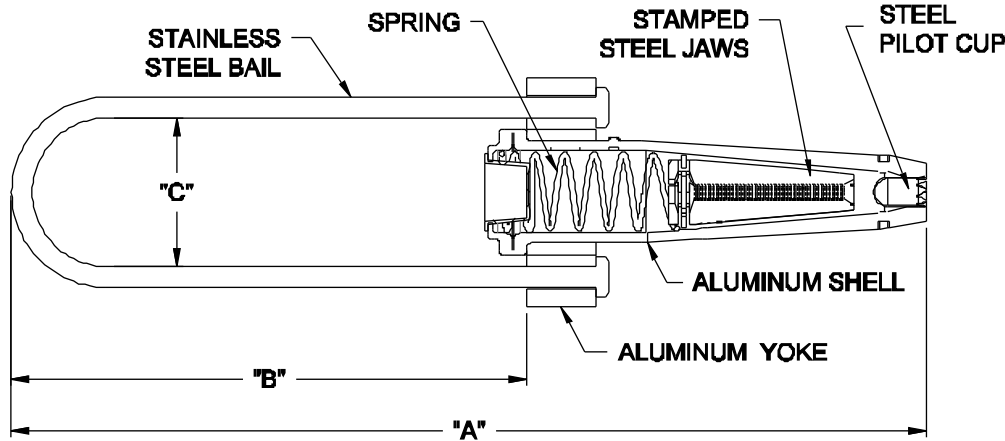




**ALUMA-FORM®**

# Automatic Guywire Deadends



**Features:**

Rated to hold a minimum of 90% of RBS of the strand used

**Application:**

For deadend applications with overhead or down guy wire. "Universal Grade" are recommended for use with Alumoweld, Aluminized, EHS and Galvanized Steel.

"All Grades" are recommended for use on Common Grade, Siemens-Martin, High Strength Utility Grade, Galvanized and Aluminized steel strand.

**Guy Wire (All Grade)**

CATALOG NUMBER	PRIMARY STRAND APPLICATION	RANGE (IN.)	RANGE (MM)	DIMENSIONS		
				A	B	C
AGD-250	1/4"	0.240-0.253	6.11-6.44	9.2	5.7	1.4
AGD-312	5/16"	0.310-0.335	7.89-8.53	9.25	5.6	1.5
AGD-312L	5/16"	0.310-0.335	7.89-8.53	13.1	9.5	1.5
AGD-375	3/8"	0.360-0.405	9.16-10.31	11.9	7.1	1.7
AGD-375L	3/8 "	0.360-0.405	9.16-10.31	17	12.5	1.7

**Guy Wire (Universal Grade)**

CATALOG NUMBER	PRIMARY STRAND APPLICATION	RANGE (IN.)	RANGE (MM)	DIMENSIONS		
				A	B	C
AGDU-250	1/4"	0.215-0.270	5.46-6.86	10	5.4	1.6
AGDU-250L	1/4"	0.215-0.270	5.46-6.86	13.7	9.1	1.6
AGDU-312	5/16"	0.270-0.315	6.86-8.00	10	5.3	1.8
AGDU-312L	5/16"	0.270-0.315	6.86-8.00	15.3	10.5	1.8
AGDU-375	3/8"	0.325-0.392	8.26-9.96	11.8	5.7	2.2
AGDU-375L	3/8"	0.325-0.392	8.26-9.96	17.2	11.2	2.2
AGDU-437L	7/16"	0.392-0.458	9.96-11.63	14.6	8.5	2.4
AGDU-437L	7/16"	0.392-0.458	9.96-11.63	18.4	12.4	2.4

NOTE: Suffix "L" Denoted Extended Bail.