



ALUMA-FORM®

FIBERGLASS EQUIPMENT MOUNTS



RUS Approved



FIBERGLASS EQUIPMENT MOUNTS

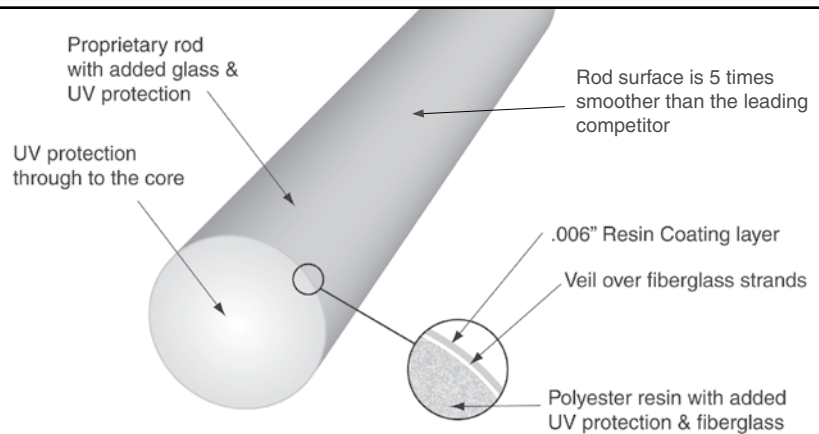
The Best Option for Fiberglass Equipment Mounts!

Single and three-phase fiberglass equipment mounts are now available with the quality and performance you expect from Aluma-Form. Versions are available with 0° & 15° mounts, and several different end fittings.

The Aluma-Form Advantage

Superior Performance

The Super-Smooth fiberglass rod provides superior strength and durability. Since the fiberglass rod is 5 times smoother than the leading competitor, Aluma-Form's proprietary veiled fiberglass design provides superior UV, tracking and abrasion resistance.



Mounts to Any Pole

Aluma-Form fiberglass equipment mounts can be mounted to any pole – steel, concrete, wood, or fiberglass. Just use the Aluma-Form Bolt-A-Band banding system.



Speed and Flexibility

Need your equipment mount custom designed? No problem – just contact us or your local representative. With the best lead-times in the industry, Aluma-Form can deliver your equipment mounts when you need it!



FIBERGLASS EQUIPMENT MOUNTS

Catalog Number System-Single Phase



F 1 CA - M V - H 18 - S1 - H

Catalog Series
Fiberglass Equipment Mounts

of Phases
1=Single Phase

Bracket Type
CA=Cutout & Arrestor

Fiberglass Rod Rating
M=Medium Duty

Fiberglass Rod Finish
V=Veiled Rod

Rod Orientation
H=Horizontal, 0°
A=Angled, 15°

Spacer Bar Option³
Blank=No Bar
T8=8" Bar
T10=10" Bar
T12=12" Bar

Options
Blank=No Hardware
H=With hardware²

End Fitting Type
S1=Single Position / 1-hole
S2=Single Position / 2-hole
D3=Double Position / 3-hole
F2=Cable Support / 2" bolt
C4=Clover Leaf / 4-hole
C7=Clover Leaf / 7-hole

Standoff Length¹
12=12"
15=15"
18=18"
24=24"

Notes:

1. Custom lengths available, contact factory or local sales representative.
2. Standard hardware includes captured 1/2" x 2" carriage bolt, 1/2" hex nut, 1/2" lock washer, & 1/2" star washer.
3. Spacer bar option available only with single position (S1) end fitting.

Spacer Bar Option

Cat # Suffix	Cat # to Order Separately w/o Hardware	Cat # to Order Separately w/Hardware	Hole Center Spacing
T8	S1-BAR-T8	S1-BAR-T8-H	8"
T10	S1-BAR-T10	S1-BAR-T10-H	10"
T12	S1-BAR-T12	S1-BAR-T12-H	12"



ALUMA-FORM®

FIBERGLASS EQUIPMENT MOUNTS



Single Phase/Single Position 15° Mount

Material Specifications

Pole Gain

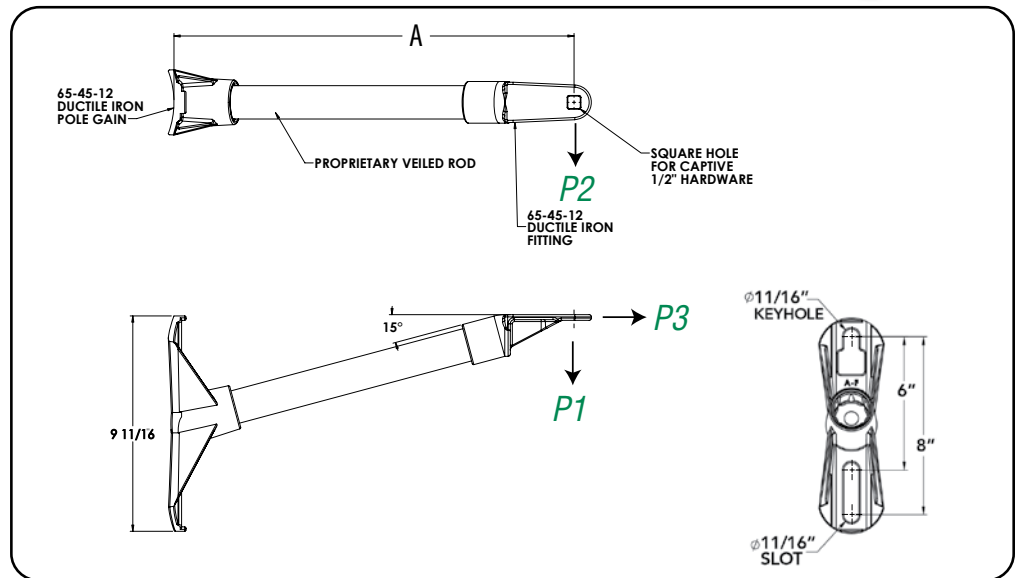
- 65-45-12 Ductile Iron, hot-dipped galvanized per ASTM A153 (6" to 8" mounting centers)
- Accepts 5/8" pole mounting hardware
- Can be banded using the Aluma-Form Bolt-A-Band banding system

End Fitting

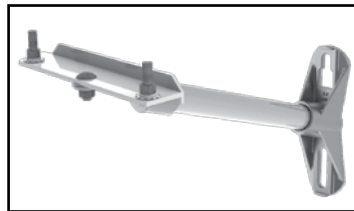
- 65-45-12 Ductile Iron, hot-dipped galvanized per ASTM A153

Fiberglass Rod

- 1-1/2" diameter Super-Smooth, proprietary veiled gray polyester rod with added ultraviolet protection



Spacer Bar Option



Cat# Suffix	Cat # to Order Separately W/O Hardware	Cat # to Order Separately w/ Hardware	Hole Center Spacing
T8	S1-BAR-T8	S1-BAR-T8-H	8"
T10	S1-BAR-T10	S1-BAR-T10-H	10"
T12	S1-BAR-T12	S1-BAR-T12-H	12"

Catalog Name	Rod Diameter	Standoff Length, A ¹	Spacer Bar Hole Center Spacing	Hardware ²	Ultimate Load			Weight
					P1 (lbs)	P2 (lbs)	P3 (lbs)	
F1CA-MV-A12-S1	1-1/2"	12"	---	No	1,800	1,400	5,000	5.7 lbs.
F1CA-MV-A15-S1	1-1/2"	15"	---	No	1,500	1,150	5,000	6.1 lbs.
F1CA-MV-A18-S1	1-1/2"	18"	---	No	1,200	900	5,000	6.4 lbs.
F1CA-MV-A24-S1	1-1/2"	24"	---	No	900	700	5,000	7.2 lbs.
F1CA-MV-A12-S1-H	1-1/2"	12"	---	Yes	1,800	1,400	5,000	5.9 lbs.
F1CA-MV-A15-S1-H	1-1/2"	15"	---	Yes	1,500	1,150	5,000	6.3 lbs.
F1CA-MV-A18-S1-H	1-1/2"	18"	---	Yes	1,200	900	5,000	6.7 lbs.
F1CA-MV-A18-S1-HT10	1-1/2"	18"	10"	Yes	1,200	900	5,000	7.9 lbs.
F1CA-MV-A24-S1-H	1-1/2"	24"	---	Yes	900	700	5,000	7.4 lbs.

Notes:

1. Custom lengths available, contact factory or local sales representative.

2. Standard hardware includes captured 1/2" x 2" carriage bolt, 1/2" hex nut, 1/2" lock washer, & 1/2" star washer.



FIBERGLASS EQUIPMENT MOUNTS



Single Phase/Double Position 15° Mount

Material Specifications

Pole Gain

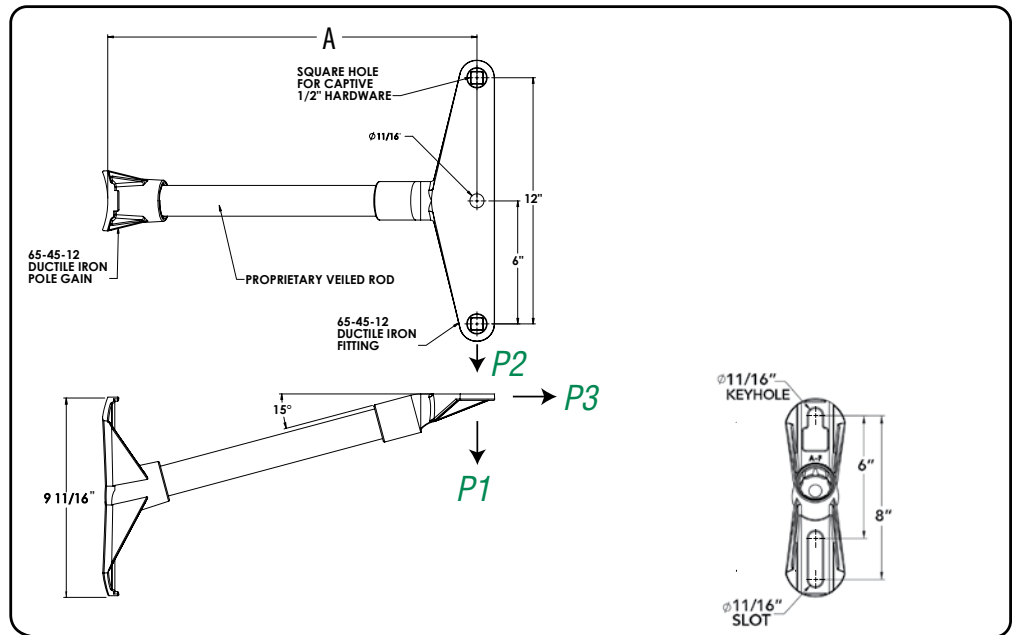
- 65-45-12 Ductile Iron, hot-dipped galvanized per ASTM A153 (6" to 8" mounting centers)
- Accepts 5/8" pole mounting hardware
- Can be banded using the Aluma-Form Bolt-A-Band banding system

End Fitting

- 65-45-12 Ductile Iron, hot-dipped galvanized per ASTM A153

Fiberglass Rod

- 1-1/2" diameter Super-Smooth, proprietary veiled gray polyester rod with added ultraviolet protection



Catalog Name	Rod Diameter	Standoff Length, A ¹	Hardware ²	Ultimate Load			Weight
				P1 (lbs)	P2 (lbs)	P3 (lbs)	
F1CA-MV-A12-D3	1-1/2"	12"	No	1,800	1,400	10,000	7.9 lbs.
F1CA-MV-A15-D3	1-1/2"	15"	No	1,500	1,150	10,000	8.3 lbs.
F1CA-MV-A18-D3	1-1/2"	18"	No	1,200	900	10,000	8.6 lbs.
F1CA-MV-A24-D3	1-1/2"	24"	No	900	700	10,000	9.4 lbs.
F1CA-MV-A12-D3-H	1-1/2"	12"	Yes	1,800	1,400	10,000	8.3 lbs.
F1CA-MV-A15-D3-H	1-1/2"	15"	Yes	1,500	1,150	10,000	8.7 lbs.
F1CA-MV-A18-D3-H	1-1/2"	18"	Yes	1,200	900	10,000	9.1 lbs.
F1CA-MV-A24-D3-H	1-1/2"	24"	Yes	900	700	10,000	9.9 lbs.

Notes:

1. Custom lengths available, contact factory or local sales representative.
2. Standard hardware includes captured 1/2" x 2" carriage bolt, 1/2" hex nut, 1/2" lock washer, & 1/2" star washer.



ALUMA-FORM®

FIBERGLASS EQUIPMENT MOUNTS



Single Phase/Clover Leaf 4-Hole 15° Mount

Material Specifications

Pole Gain

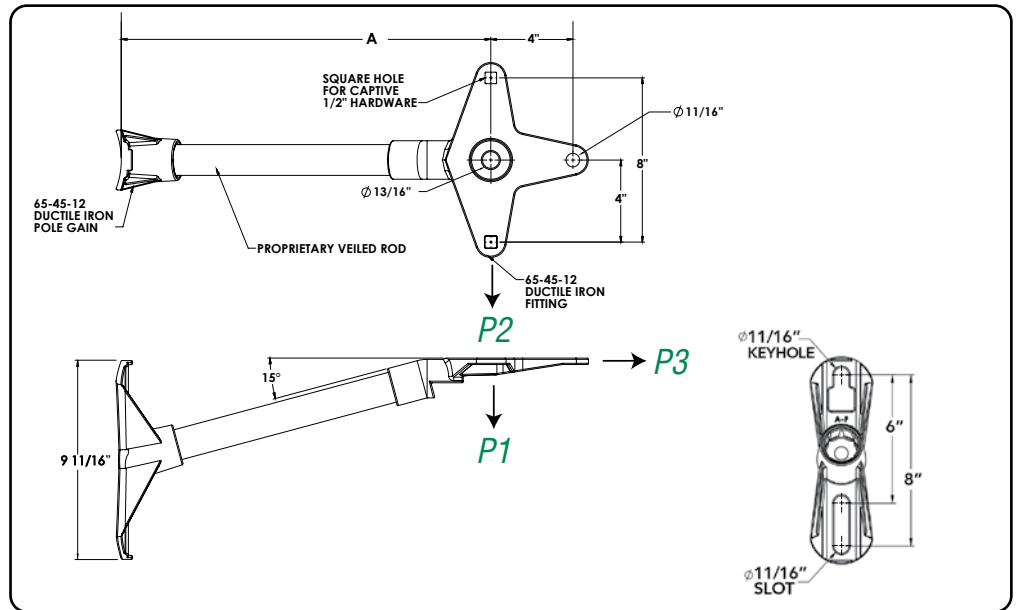
- 65-45-12 Ductile Iron, hot-dipped galvanized per ASTM A153 (6" to 8" mounting centers)
- Accepts 5/8" pole mounting hardware
- Can be banded using the Aluma-Form Bolt-A-Band banding system

End Fitting

- 65-45-12 Ductile Iron, hot-dipped galvanized per ASTM A153

Fiberglass Rod

- 1-1/2" diameter Super-Smooth, proprietary veiled gray polyester rod with added ultraviolet protection



Catalog Name	Rod Diameter	Standoff Length, A ¹	Hardware ²	Ultimate Load			Weight
				P1 (lbs)	P2 (lbs)	P3 (lbs)	
F1CA-MV-A12-C4	1-1/2"	12"	No	1,800	1,400	10,000	7.6 lbs.
F1CA-MV-A15-C4	1-1/2"	15"	No	1,500	1,150	10,000	8.0 lbs.
F1CA-MV-A18-C4	1-1/2"	18"	No	1,200	900	10,000	8.4 lbs.
F1CA-MV-A24-C4	1-1/2"	24"	No	900	700	10,000	9.2 lbs.
F1CA-MV-A12-C4-H	1-1/2"	12"	Yes	1,800	1,400	10,000	8.1 lbs.
F1CA-MV-A15-C4-H	1-1/2"	15"	Yes	1,500	1,150	10,000	8.5 lbs.
F1CA-MV-A18-C4-H	1-1/2"	18"	Yes	1,200	900	10,000	8.8 lbs.
F1CA-MV-A24-C4-H	1-1/2"	24"	Yes	900	700	10,000	9.6lbs.

Notes:

1. Custom lengths available, contact factory or local sales representative.
2. Standard hardware includes captured 1/2" x 2" carriage bolt, 1/2" hex nut, 1/2" lock washer, & 1/2" star washer.



FIBERGLASS EQUIPMENT MOUNTS

Single Phase/Clover Leaf 7-Hole 15° Mount



Material Specifications

Pole Gain

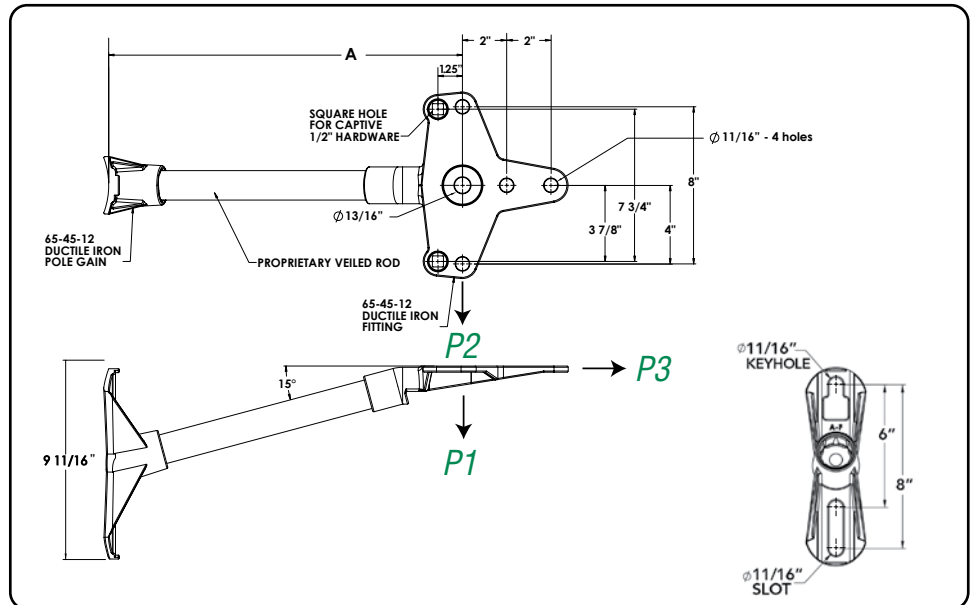
- 65-45-12 Ductile Iron, hot-dipped galvanized per ASTM A153 (6" to 8" mounting centers)
- Accepts 5/8" pole mounting hardware
- Can be banded using the Aluma-Form Bolt-A-Band banding system

End Fitting

- 65-45-12 Ductile Iron, hot-dipped galvanized per ASTM A153

Fiberglass Rod

- 1-1/2" diameter Super-Smooth, proprietary veiled gray polyester rod with added ultraviolet protection



Catalog Name	Rod Diameter	Standoff Length, A ¹	Hardware ²	Ultimate Load			Weight
				P1 (lbs)	P2 (lbs)	P3 (lbs)	
F1CA-MV-A12-C7	1-1/2"	12"	No	1,800	1,400	10,000	8.2 lbs.
F1CA-MV-A15-C7	1-1/2"	15"	No	1,500	1,150	10,000	8.6 lbs.
F1CA-MV-A18-C7	1-1/2"	18"	No	1,200	900	10,000	9.0 lbs.
F1CA-MV-A24-C7	1-1/2"	24"	No	900	700	10,000	9.8 lbs.
F1CA-MV-A12-C7-H	1-1/2"	12"	Yes	1,800	1,400	10,000	8.7 lbs.
F1CA-MV-A15-C7-H	1-1/2"	15"	Yes	1,500	1,150	10,000	9.0 lbs.
F1CA-MV-A18-C7-H	1-1/2"	18"	Yes	1,200	900	10,000	9.4 lbs.
F1CA-MV-A24-C7-H	1-1/2"	24"	Yes	900	700	10,000	10.2 lbs.

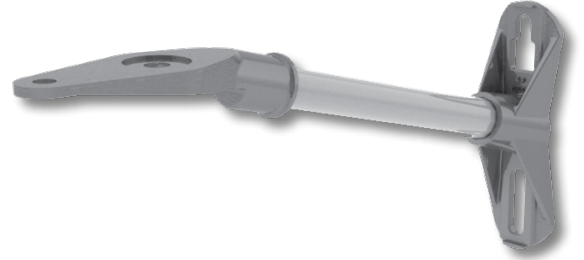
Notes:

1. Custom lengths available, contact factory or local sales representative.
2. Standard hardware includes captured 1/2" x 2" carriage bolt, 1/2" hex nut, 1/2" lock washer, & 1/2" star washer.



FIBERGLASS EQUIPMENT MOUNTS

Single Phase/Single Position 2-Hole 15° Mount



Material Specifications

Pole Gain

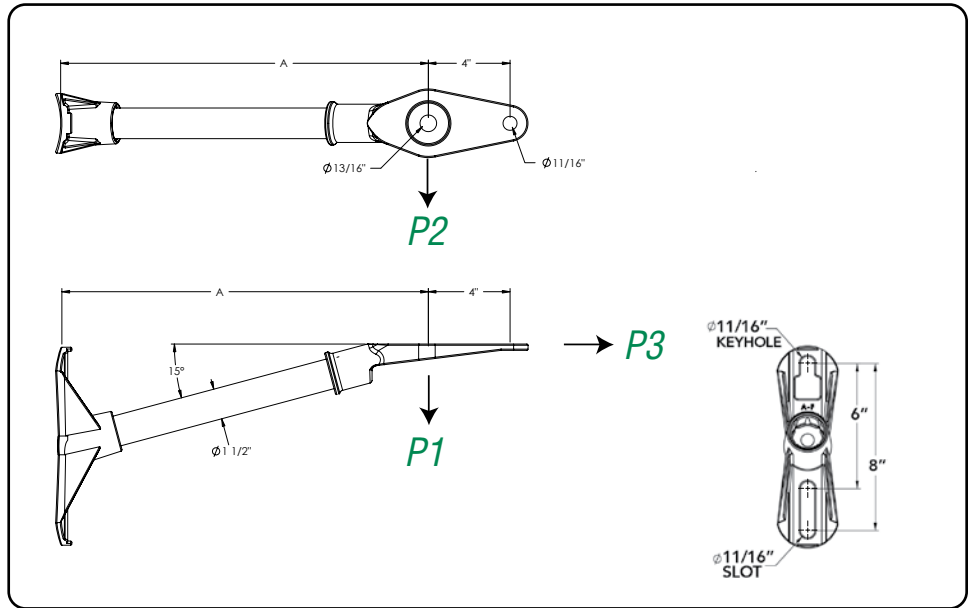
- 65-45-12 Ductile Iron, hot-dipped galvanized per ASTM A153 (6" to 8" mounting centers)
- Accepts 5/8" pole mounting hardware
- Can be banded using the Aluma-Form Bolt-A-Band banding system

End Fitting

- 65-45-12 Ductile Iron, hot-dipped galvanized per ASTM A153

Fiberglass Rod

- 1-1/2" diameter Super-Smooth, proprietary veiled gray polyester rod with added ultraviolet protection



Catalog Name	Rod Diameter	Standoff Length, A'	Ultimate Load			Weight
			P1 (lbs)	P2 (lbs)	P3 (lbs)	
F1CA-MV-A18-S2	1-1/2"	18"	1,200	900	10,000	6.9 lbs.
F1CA-MV-A21-S2	1-1/2"	21"	1,050	800	10,000	7.3 lbs.
F1CA-MV-A24-S2	1-1/2"	24"	900	700	10,000	7.7 lbs.

Notes:

1. Custom lengths available, contact factory or local sales representative.



FIBERGLASS EQUIPMENT MOUNTS



Single Phase/Cable Support 15° Mount

Material Specifications

Pole Gain

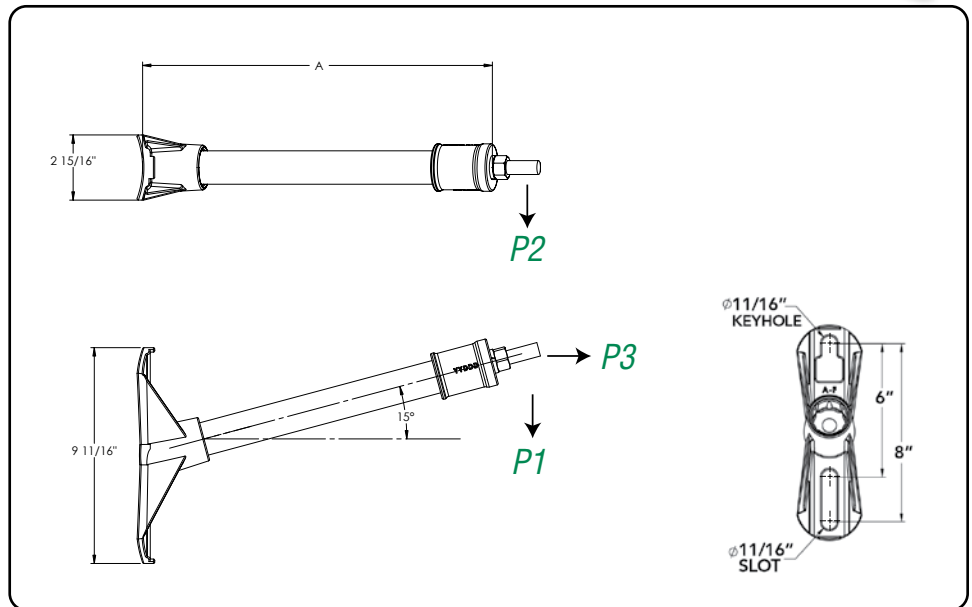
- 65-45-12 Ductile Iron, hot-dipped galvanized per ASTM A153 (6" to 8" mounting centers)
- Accepts 5/8" pole mounting hardware
- Can be banded using the Aluma-Form Bolt-A-Band banding system

End Fitting

- 65-45-12 Ductile Iron, hot-dipped galvanized per ASTM A153
- Includes 5/8" x 2" bolt, lock washer & nut

Fiberglass Rod

- 1-1/2" diameter Super-Smooth, proprietary veiled gray polyester rod with added ultraviolet protection



Catalog Name	Rod Diameter	Standoff Length, A ¹	Ultimate Load			Weight
			P1 (lbs)	P2 (lbs)	P3 (lbs)	
F1CA-MV-A12-F2	1-1/2"	12"	1,850	1,600	1,500	6.5 lbs.
F1CA-MV-A15-F2	1-1/2"	15"	1,500	1,300	1,500	6.9 lbs.
F1CA-MV-A18-F2	1-1/2"	18"	1,200	1,200	1,500	7.3 lbs.
F1CA-MV-A21-BF2	1-1/2"	21"	1,050	1,050	1,500	7.7 lbs.
F1CA-MV-A24-BF2	1-1/2"	24"	950	950	1,500	8.1 lbs.
F1CA-MV-A30-BF2	1-1/2"	30"	750	750	1,500	8.9 lbs.

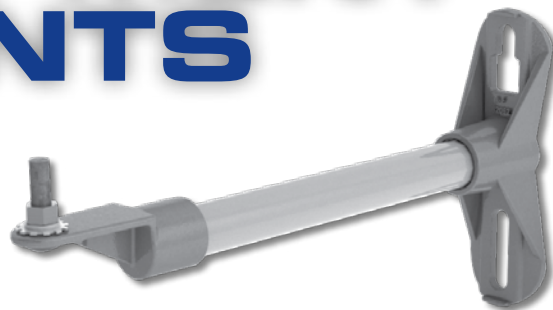
Notes:

1. Custom lengths available, contact factory or local sales representative.
2. Custom end fitting studs available, contact factory or local sales representative.



ALUMA-FORM®

FIBERGLASS EQUIPMENT MOUNTS



Single Phase/Single Position 0° Mount

Material Specifications

Pole Gain

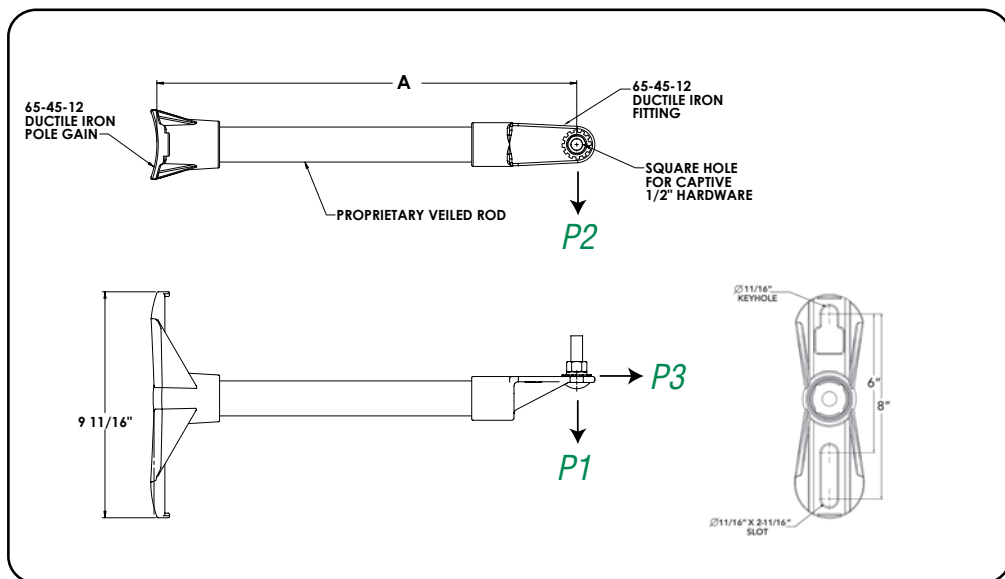
- 65-45-12 Ductile Iron, hot-dipped galvanized per ASTM A153 (6" to 8" mounting centers)
- Accepts 5/8" pole mounting hardware
- Can be banded using the Aluma-Form Bolt-A-Band banding system

End Fitting

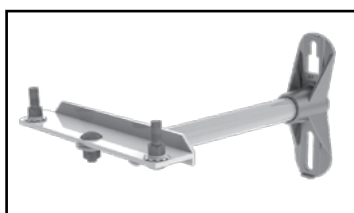
- 65-45-12 Ductile Iron, hot-dipped galvanized per ASTM A153

Fiberglass Rod

- 1-1/2" diameter Super-Smooth, proprietary veiled gray polyester rod with added ultraviolet protection



Spacer Bar Option



Cat# Suffix	Cat # to Order Separately W/O Hardware	Cat # to Order Separately w/ Hardware	Hole Center Spacing
T8	S1-BAR-T8	S1-BAR-T8-H	8"
T10	S1-BAR-T10	S1-BAR-T10-H	10"
T12	S1-BAR-T12	S1-BAR-T12-H	12"

Catalog Name	Rod Diameter	Standoff Length, A ¹	Spacer Bar Hole Center Spacing	Hardware ²	Ultimate Load			Weight
					P1 (lbs)	P2 (lbs)	P3 (lbs)	
F1CA-MV-H12-S1	1-1/2"	12"	---	No	1,800	1,400	5,000	5.4 lbs.
F1CA-MV-H15-S1	1-1/2"	15"	---	No	1,500	1,150	5,000	5.7 lbs.
F1CA-MV-H18-S1	1-1/2"	18"	---	No	1,200	900	5,000	6.1 lbs.
F1CA-MV-H24-S1	1-1/2"	24"	---	No	900	700	5,000	6.9 lbs.
F1CA-MV-H12-S1-H	1-1/2"	12"	---	Yes	1,800	1,400	5,000	5.6 lbs.
F1CA-MV-H15-S1-H	1-1/2"	15"	---	Yes	1,500	1,150	5,000	6.0 lbs.
F1CA-MV-H18-S1-H	1-1/2"	18"	---	Yes	1,200	900	5,000	6.3 lbs.
F1CA-MV-H18-S1-HT10	1-1/2"	18"	10"	Yes	1,200	900	5,000	7.6 lbs.
F1CA-MV-H24-S1-H	1-1/2"	24"	---	Yes	900	700	5,000	7.1 lbs.

Notes:

1. Custom lengths available, contact factory or local sales representative.

2. Standard hardware includes captured 1/2" x 2" carriage bolt, 1/2" hex nut, 1/2" lock washer, & 1/2" star washer.



FIBERGLASS EQUIPMENT MOUNTS



Single Phase/Double Position 0° Mount

Material Specifications

Pole Gain

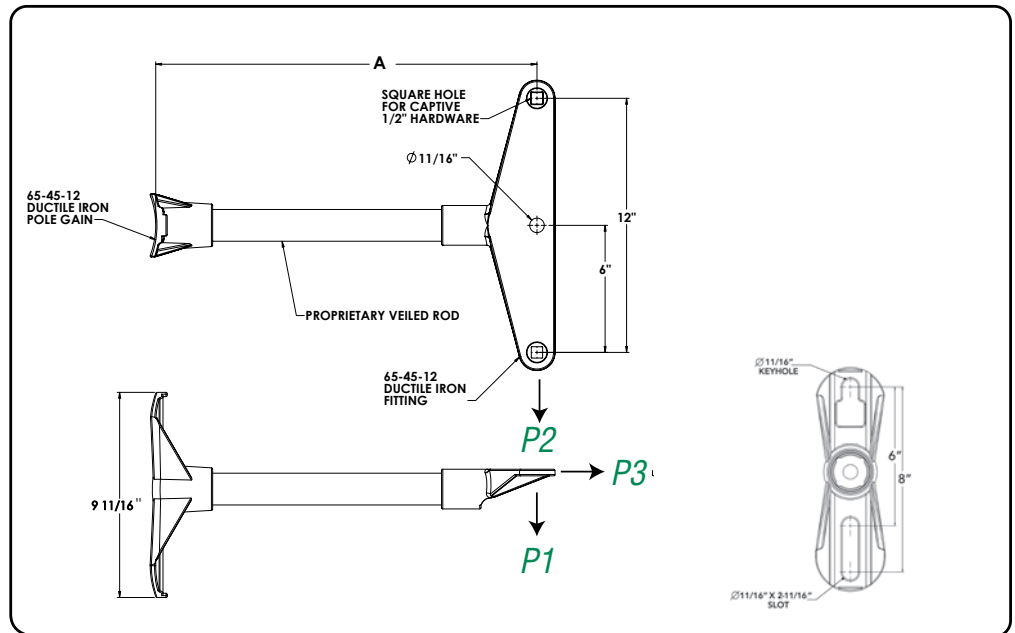
- 65-45-12 Ductile Iron, hot-dipped galvanized per ASTM A153 (6" to 8" mounting centers)
- Accepts 5/8" pole mounting hardware
- Can be banded using the Aluma-Form Bolt-A-Band banding system

End Fitting

- 65-45-12 Ductile Iron, hot-dipped galvanized per ASTM A153

Fiberglass Rod

- 1-1/2" diameter Super-Smooth, proprietary veiled gray polyester rod with added ultraviolet protection



Catalog Name	Rod Diameter	Standoff Length, A ¹	Hardware ²	Ultimate Load			Weight
				P1 (lbs)	P2 (lbs)	P3 (lbs)	
F1CA-MV-H12-D3	1-1/2"	12"	No	1,800	1,400	10,000	7.4 lbs.
F1CA-MV-H15-D3	1-1/2"	15"	No	1,500	1,150	10,000	7.8 lbs.
F1CA-MV-H18-D3	1-1/2"	18"	No	1,200	900	10,000	8.2 lbs.
F1CA-MV-H24-D3	1-1/2"	24"	No	900	700	10,000	8.9 lbs.
F1CA-MV-H12-D3-H	1-1/2"	12"	Yes	1,800	1,400	10,000	7.8 lbs.
F1CA-MV-H15-D3-H	1-1/2"	15"	Yes	1,500	1,150	10,000	8.2 lbs.
F1CA-MV-H18-D3-H	1-1/2"	18"	Yes	1,200	900	10,000	8.6 lbs.
F1CA-MV-H24-D3-H	1-1/2"	24"	Yes	900	700	10,000	9.4 lbs.

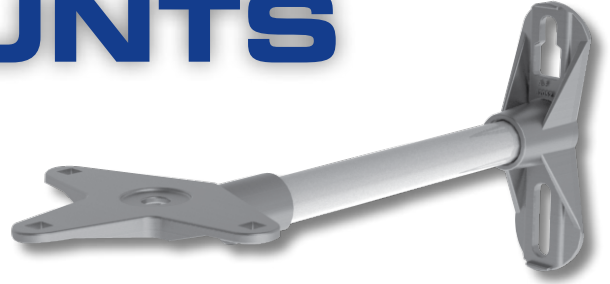
Notes:

1. Custom lengths available, contact factory or local sales representative.
2. Standard hardware includes captured 1/2" x 2" carriage bolt, 1/2" hex nut, 1/2" lock washer, & 1/2" star washer.



FIBERGLASS EQUIPMENT MOUNTS

Single Phase/Clover Leaf 4-Hole 0° Mount



Material Specifications

Pole Gain

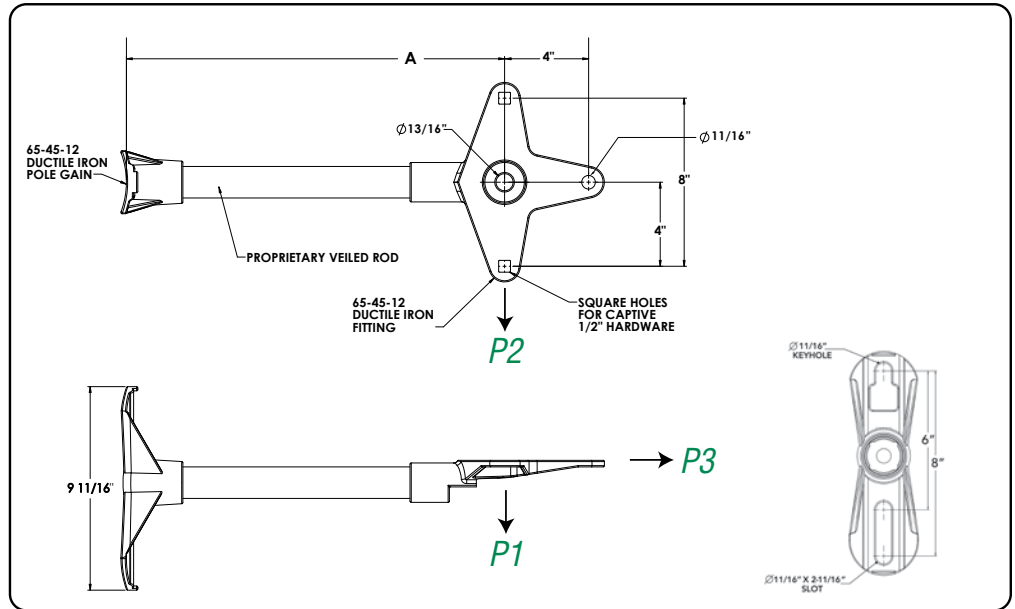
- 65-45-12 Ductile Iron, hot-dipped galvanized per ASTM A153 (6" to 8" mounting centers)
- Accepts 5/8" pole mounting hardware
- Can be banded using the Aluma-Form Bolt-A-Band banding system

End Fitting

- 65-45-12 Ductile Iron, hot-dipped galvanized per ASTM A153

Fiberglass Rod

- 1-1/2" diameter Super-Smooth, proprietary veiled gray polyester rod with added ultraviolet protection



Catalog Name	Rod Diameter	Standoff Length, A ¹	Hardware ²	Ultimate Load			Weight
				P1 (lbs)	P2 (lbs)	P3 (lbs)	
F1CA-MV-H12-C4	1-1/2"	12"	No	1,800	1,400	10,000	7.2 lbs.
F1CA-MV-H15-C4	1-1/2"	15"	No	1,500	1,150	10,000	7.6 lbs.
F1CA-MV-H18-C4	1-1/2"	18"	No	1,200	900	10,000	8.0 lbs.
F1CA-MV-H24-C4	1-1/2"	24"	No	900	700	10,000	8.8 lbs.
F1CA-MV-H12-C4-H	1-1/2"	12"	Yes	1,800	1,400	10,000	7.7 lbs.
F1CA-MV-H15-C4-H	1-1/2"	15"	Yes	1,500	1,150	10,000	8.0 lbs.
F1CA-MV-H18-C4-H	1-1/2"	18"	Yes	1,200	900	10,000	8.4 lbs.
F1CA-MV-H24-C4-H	1-1/2"	24"	Yes	900	700	10,000	9.2 lbs.

Notes:

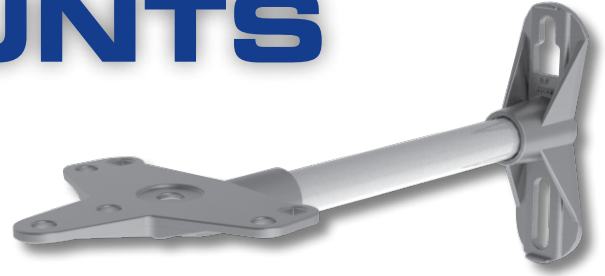
1. Custom lengths available, contact factory or local sales representative.
2. Standard hardware includes captured 1/2" x 2" carriage bolt, 1/2" hex nut, 1/2" lock washer, & 1/2" star washer.



ALUMA-FORM®

FIBERGLASS EQUIPMENT MOUNTS

Single Phase/Clover Leaf 7-Hole 0° Mount



Material Specifications

Pole Gain

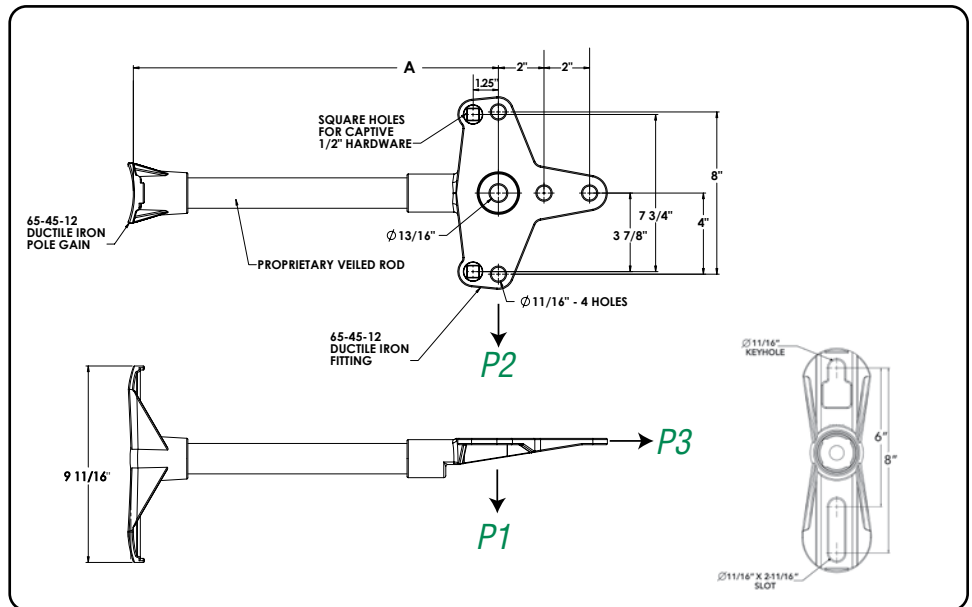
- 65-45-12 Ductile Iron, hot-dipped galvanized per ASTM A153 (6" to 8" mounting centers)
- Accepts 5/8" pole mounting hardware
- Can be banded using the Aluma-Form Bolt-A-Band banding system

End Fitting

- 65-45-12 Ductile Iron, hot-dipped galvanized per ASTM A153

Fiberglass Rod

- 1-1/2" diameter Super-Smooth, proprietary veiled gray polyester rod with added ultraviolet protection



Catalog Name	Rod Diameter	Standoff Length, A ¹	Hardware ²	Ultimate Load			Weight
				P1 (lbs)	P2 (lbs)	P3 (lbs)	
F1CA-MV-H12-C7	1-1/2"	12"	No	1,800	1,400	10,000	7.8 lbs.
F1CA-MV-H15-C7	1-1/2"	15"	No	1,500	1,150	10,000	8.2 lbs.
F1CA-MV-H18-C7	1-1/2"	18"	No	1,200	900	10,000	8.6 lbs.
F1CA-MV-H24-C7	1-1/2"	24"	No	900	700	10,000	9.4 lbs.
F1CA-MV-H12-C7-H	1-1/2"	12"	Yes	1,800	1,400	10,000	8.2 lbs.
F1CA-MV-H15-C7-H	1-1/2"	15"	Yes	1,500	1,150	10,000	8.7 lbs.
F1CA-MV-H18-C7-H	1-1/2"	18"	Yes	1,200	900	10,000	9.1 lbs.
F1CA-MV-H24-C7-H	1-1/2"	24"	Yes	900	700	10,000	9.9 lbs.

Notes:

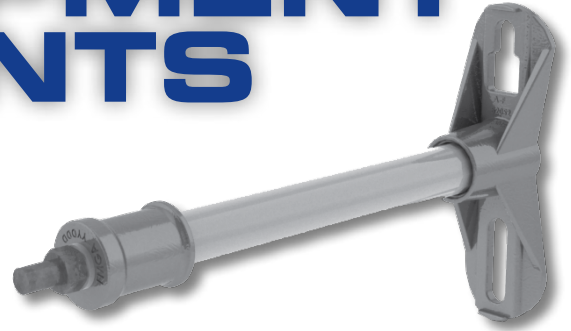
1. Custom lengths available, contact factory or local sales representative.
2. Standard hardware includes captured 1/2" x 2" carriage bolt, 1/2" hex nut, 1/2" lock washer, & 1/2" star washer.



ALUMA-FORM®

FIBERGLASS EQUIPMENT MOUNTS

Single Phase/Cable Support 0° Mount



Material Specifications

Pole Gain

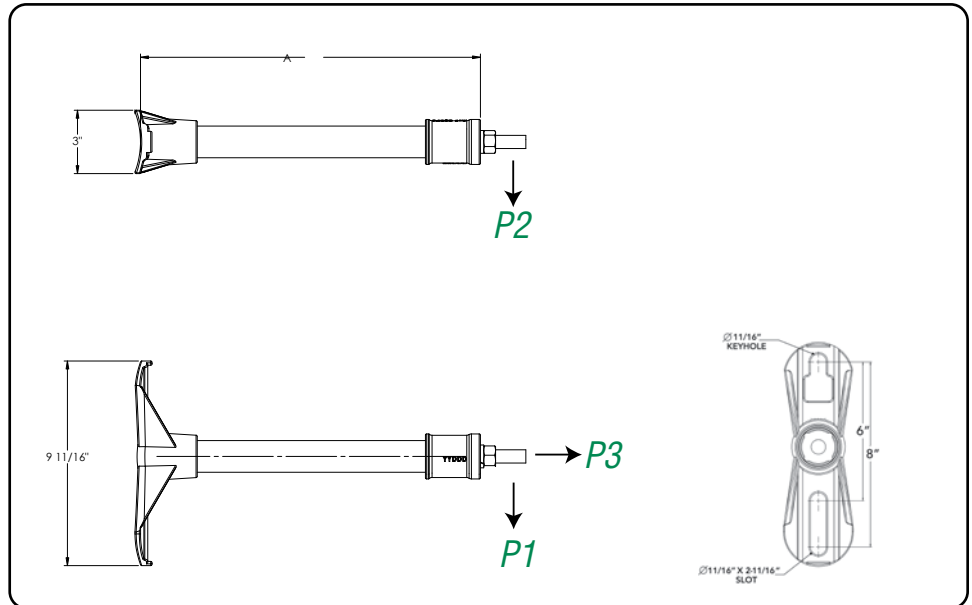
- 65-45-12 Ductile Iron, hot-dipped galvanized per ASTM A153 (6" to 8" mounting centers)
- Accepts 5/8" pole mounting hardware
- Can be banded using the Aluma-Form Bolt-A-Band banding system

End Fitting

- 65-45-12 Ductile Iron, hot-dipped galvanized per ASTM A153
- Includes 5/8" x 2" bolt, lock washer & nut²

Fiberglass Rod

- 1-1/2" diameter Super-Smooth, proprietary veiled gray polyester rod with added ultraviolet protection



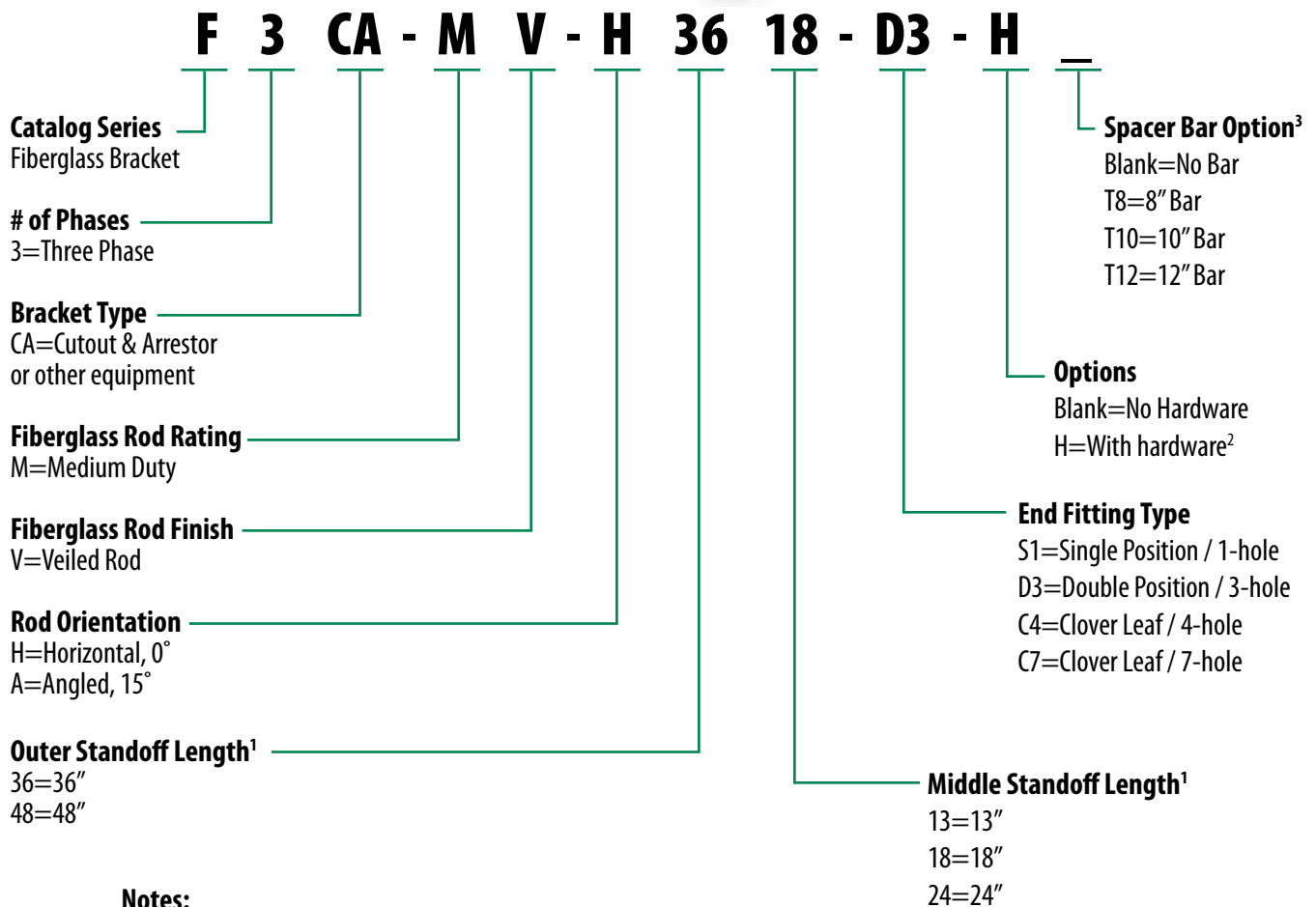
Catalog Name	Rod Diameter	Standoff Length, A ¹	Ultimate Load			Weight
			P1 (lbs)	P2 (lbs)	P3 (lbs)	
F1CA-MV-H12-F2	1-1/2"	12"	1,850	1,600	1,500	6.3 lbs.
F1CA-MV-H15-F2	1-1/2"	15"	1,500	1,300	1,500	6.7 lbs.
F1CA-MV-H18-F2	1-1/2"	18"	1,200	1,200	1,500	7.0 lbs.

Notes:

1. Custom lengths available, contact factory or local sales representative.
2. Custom end fitting studs available, contact factory or local sales representative.

FIBERGLASS EQUIPMENT MOUNTS

Catalog Number System-Three Phase



Notes:

1. Custom lengths available, contact factory or local sales representative.
2. Standard hardware includes captured 1/2" x 2" carriage bolt, 1/2" hex nut, 1/2" lock washer, & 1/2" star washer.
3. Spacer bar option available only with single position (S1) end fitting.

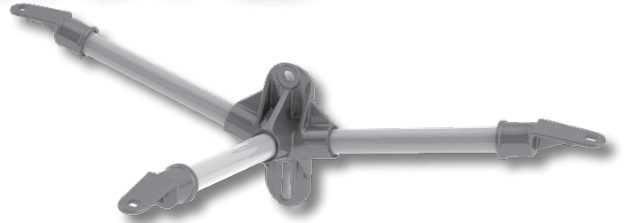
Spacer Bar Option

Cat # Suffix	Cat # to Order Separately w/o Hardware	Cat # to Order Separately w/Hardware	Hole Center Spacing
T8	S1-BAR-T8	S1-BAR-T8-H	8"
T10	S1-BAR-T10	S1-BAR-T10-H	10"
T12	S1-BAR-T12	S1-BAR-T12-H	12"



FIBERGLASS EQUIPMENT MOUNTS

Three Phase/Single Position 15° Mount



Material Specifications

Pole Gain

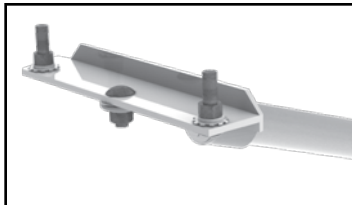
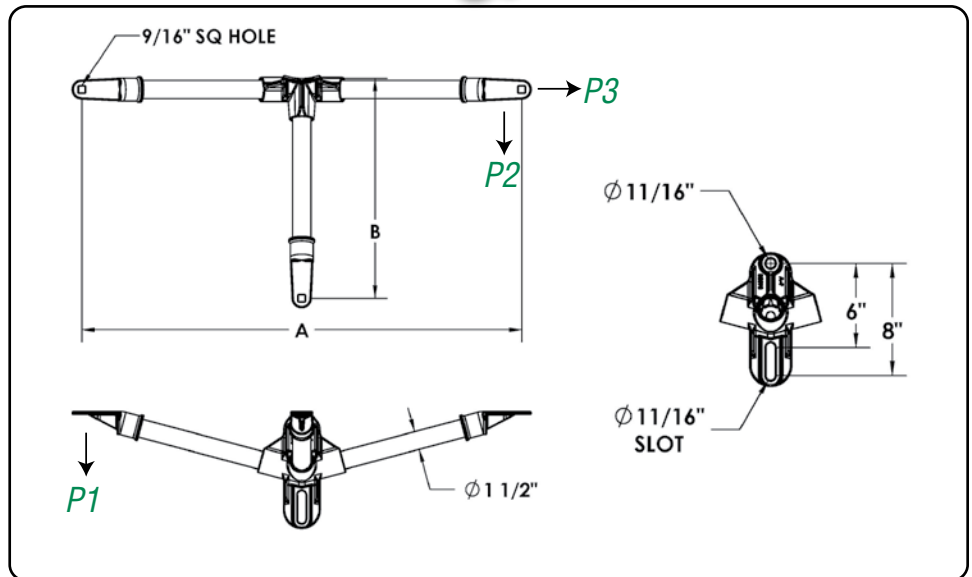
- 65-45-12 Ductile Iron, hot-dipped galvanized per ASTM A153 (6" to 8" mounting centers)
- Accepts 5/8" pole mounting hardware

End Fitting

- 65-45-12 Ductile Iron, hot-dipped galvanized per ASTM A153

Fiberglass Rod

- 1-1/2" diameter Super-Smooth, proprietary veiled gray polyester rod with added ultraviolet protection



Spacer Bar Option

Cat# Suffix	Cat # to Order Separately W/O Hardware	Cat # to Order Separately w/ Hardware	Hole Center Spacing
T8	S1-BAR-T8	S1-BAR-T8-H	8"
T10	S1-BAR-T10	S1-BAR-T10-H	10"
T12	S1-BAR-T12	S1-BAR-T12-H	12"

Catalog Name	Rod Diameter	Outside Standoff Length, A ¹	Middle Standoff Length, B ¹	Spacer Bar Length	Hardware ²	Ultimate Load			Weight
						P1 (lbs)	P2 (lbs)	P3 (lbs)	
F3CA-MV-A3613-S1	1-1/2"	36"	13"	---	No	1,200	900	5,000	14.6 lbs.
F3CA-MV-A3613-S1-H	1-1/2"	36"	13"	---	Yes	1,200	900	5,000	15.3 lbs.
F3CA-MV-A3618-S1	1-1/2"	36"	18"	---	No	1,200	900	5,000	15.3 lbs.
F3CA-MV-A3618-S1-H	1-1/2"	36"	18"	---	Yes	1,200	900	5,000	15.9 lbs.
F3CA-MV-A4813-S1	1-1/2"	48"	13"	---	No	900	700	5,000	16.2 lbs.
F3CA-MV-A4813-S1-H	1-1/2"	48"	13"	---	Yes	900	700	5,000	16.9 lbs.
F3CA-MV-A4818-S1	1-1/2"	48"	18"	---	No	900	700	5,000	16.8 lbs.
F3CA-MV-A4818-S1-H	1-1/2"	48"	18"	---	Yes	900	700	5,000	17.5 lbs.
F3CA-MV-A4824-S1	1-1/2"	48"	24"	---	No	900	700	5,000	17.6 lbs.
F3CA-MV-A4824-S1-H	1-1/2"	48"	24"	---	Yes	900	700	5,000	18.3 lbs.
F3CA-MV-A4824-S1-HT10	1-1/2"	48"	24"	10"	Yes	900	700	5,000	21.9 lbs.

Notes:

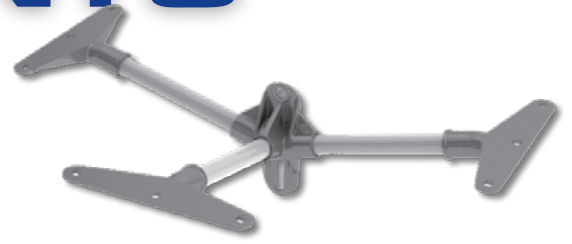
1. Custom lengths available, contact factory or local sales representative.
2. Standard hardware includes captured 1/2" x 2" carriage bolt, 1/2" hex nut, 1/2" lock washer, & 1/2" star washer.



ALUMA-FORM®

FIBERGLASS EQUIPMENT MOUNTS

Three Phase/Double Position 15° Mount



Material Specifications

Pole Gain

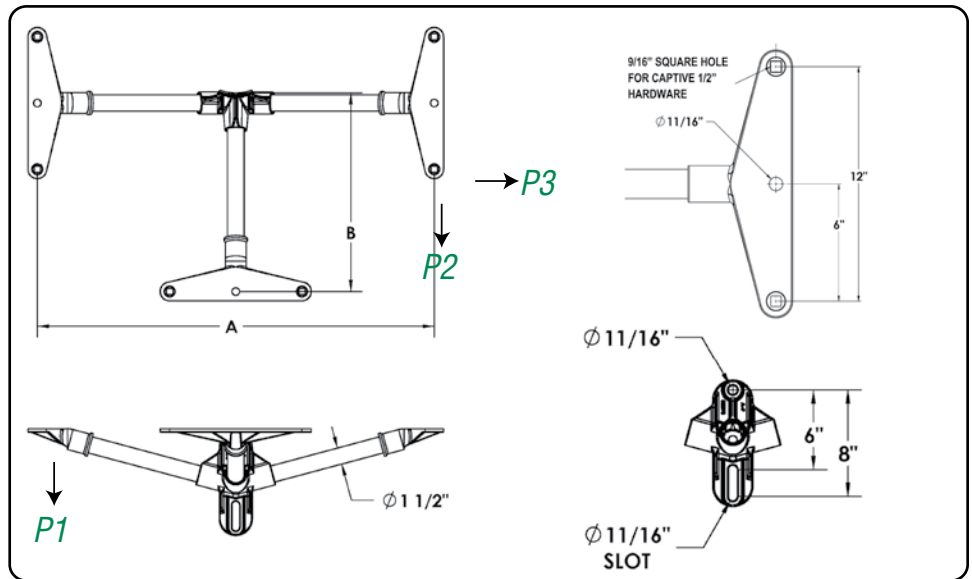
- 65-45-12 Ductile Iron, hot-dipped galvanized per ASTM A153 (6" to 8" mounting centers)
- Accepts 5/8" pole mounting hardware

End Fitting

- 65-45-12 Ductile Iron, hot-dipped galvanized per ASTM A153

Fiberglass Rod

- 1-1/2" diameter Super-Smooth, proprietary veiled gray polyester rod with added ultraviolet protection



Catalog Name	Rod Diameter	Outside Standoff Length, A ¹	Middle Standoff Length, B ¹	Hardware ²	Ultimate Load			Weight
					P1 (lbs)	P2 (lbs)	P3 (lbs)	
F3CA-MV-A3613-D3	1-1/2"	36"	13"	No	1,200	900	10,000	21.2 lbs.
F3CA-MV-A3613-D3-H	1-1/2"	36"	13"	Yes	1,200	900	10,000	22.5 lbs.
F3CA-MV-A3618-D3	1-1/2"	36"	18"	No	1,200	900	10,000	21.8 lbs.
F3CA-MV-A3618-D3-H	1-1/2"	36"	18"	Yes	1,200	900	10,000	23.1 lbs.
F3CA-MV-A4813-D3	1-1/2"	48"	13"	No	900	700	10,000	22.8 lbs.
F3CA-MV-A4813-D3-H	1-1/2"	48"	13"	Yes	900	700	10,000	24.1 lbs.
F3CA-MV-A4818-D3	1-1/2"	48"	18"	No	900	700	10,000	23.4 lbs.
F3CA-MV-A4818-D3-H	1-1/2"	48"	18"	Yes	900	700	10,000	24.7 lbs.
F3CA-MV-A4824-D3	1-1/2"	48"	24"	No	900	700	10,000	24.2 lbs.
F3CA-MV-A4824-D3-H	1-1/2"	48"	24"	Yes	900	700	10,000	25.5 lbs.

Notes:

1. Custom lengths available, contact factory or local sales representative.
2. Standard hardware includes captured 1/2" x 2" carriage bolt, 1/2" hex nut, 1/2" lock washer, & 1/2" star washer.



ALUMA-FORM®

FIBERGLASS EQUIPMENT MOUNTS

Three Phase/Clover Leaf 4-Hole 15° Mount

Material Specifications

Pole Gain

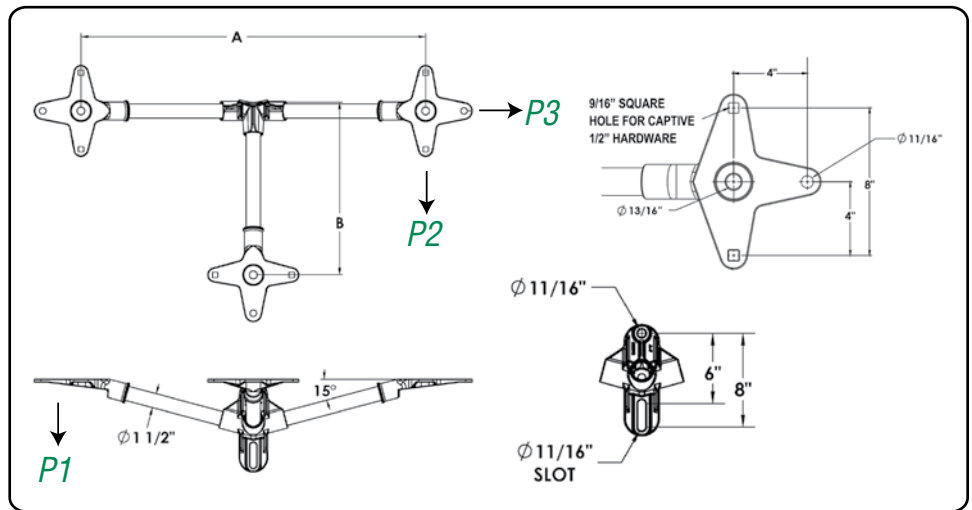
- 65-45-12 Ductile Iron, hot-dipped galvanized per ASTM A153 (6" to 8" mounting centers)
- Accepts 5/8" pole mounting hardware

End Fitting

- 65-45-12 Ductile Iron, hot-dipped galvanized per ASTM A153

Fiberglass Rod

- 1-1/2" diameter Super-Smooth, proprietary veiled gray polyester rod with added ultraviolet protection



Catalog Name	Rod Diameter	Outside Standoff Length, A ¹	Middle Standoff Length, B ¹	Hardware ²	Ultimate Load			Weight
					P1 (lbs)	P2 (lbs)	P3 (lbs)	
F3CA-MV-A3613-C4	1-1/2"	36"	13"	No	1,200	900	10,000	20.4 lbs.
F3CA-MV-A3613-C4-H	1-1/2"	36"	13"	Yes	1,200	900	10,000	21.7 lbs.
F3CA-MV-A3618-C4	1-1/2"	36"	18"	No	1,200	900	10,000	21.0 lbs.
F3CA-MV-A3618-C4-H	1-1/2"	36"	18"	Yes	1,200	900	10,000	22.3 lbs.
F3CA-MV-A4813-C4	1-1/2"	48"	13"	No	900	700	10,000	22.0 lbs.
F3CA-MV-A4813-C4-H	1-1/2"	48"	13"	Yes	900	700	10,000	23.3 lbs.
F3CA-MV-A4818-C4	1-1/2"	48"	18"	No	900	700	10,000	22.6 lbs.
F3CA-MV-A4818-C4-H	1-1/2"	48"	18"	Yes	900	700	10,000	23.9 lbs.
F3CA-MV-A4824-C4	1-1/2"	48"	24"	No	900	700	10,000	23.4 lbs.
F3CA-MV-A4824-C4-H	1-1/2"	48"	24"	Yes	900	700	10,000	24.7 lbs.

Notes:

1. Custom lengths available, contact factory or local sales representative.
2. Standard hardware includes captured 1/2" x 2" carriage bolt, 1/2" hex nut, 1/2" lock washer, & 1/2" star washer.



ALUMA-FORM®

FIBERGLASS EQUIPMENT MOUNTS

Three Phase/Clover Leaf 7-Hole 15° Mount



Material Specifications

Pole Gain

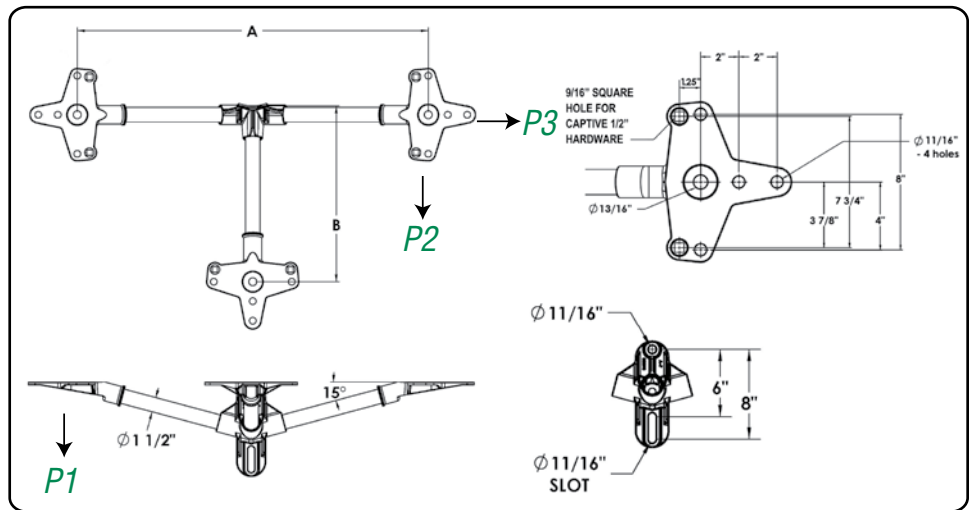
- 65-45-12 Ductile Iron, hot-dipped galvanized per ASTM A153 (6" to 8" mounting centers)
- Accepts 5/8" pole mounting hardware

End Fitting

- 65-45-12 Ductile Iron, hot-dipped galvanized per ASTM A153

Fiberglass Rod

- 1-1/2" diameter Super-Smooth, proprietary veiled gray polyester rod with added ultraviolet protection



Catalog Name	Rod Diameter	Outside Standoff Length, A ¹	Middle Standoff Length, B ¹	Hardware ²	Ultimate Load			Weight
					P1 (lbs)	P2 (lbs)	P3 (lbs)	
F3CA-MV-A3613-C7	1-1/2"	36"	13"	No	1,200	900	10,000	22.1 lbs.
F3CA-MV-A3613-C7-H	1-1/2"	36"	13"	Yes	1,200	900	10,000	23.4 lbs.
F3CA-MV-A3618-C7	1-1/2"	36"	18"	No	1,200	900	10,000	22.8 lbs.
F3CA-MV-A3618-C7-H	1-1/2"	36"	18"	Yes	1,200	900	10,000	24.1 lbs.
F3CA-MV-A4813-C7	1-1/2"	48"	13"	No	900	700	10,000	23.7 lbs.
F3CA-MV-A4813-C7-H	1-1/2"	48"	13"	Yes	900	700	10,000	25.0 lbs.
F3CA-MV-A4818-C7	1-1/2"	48"	18"	No	900	700	10,000	24.3 lbs.
F3CA-MV-A4818-C7-H	1-1/2"	48"	18"	Yes	900	700	10,000	25.6 lbs.
F3CA-MV-A4824-C7	1-1/2"	48"	24"	No	900	700	10,000	25.1 lbs.
F3CA-MV-A4824-C7-H	1-1/2"	48"	24"	Yes	900	700	10,000	26.4 lbs.

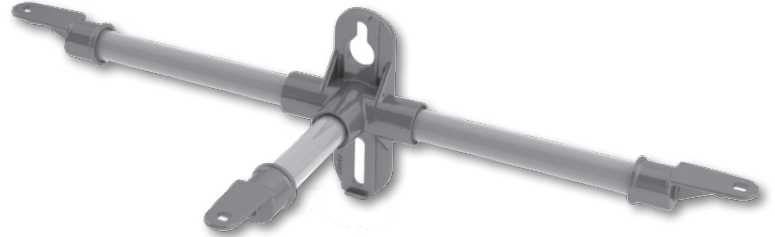
Notes:

1. Custom lengths available, contact factory or local sales representative.
2. Standard hardware includes captured 1/2" x 2" carriage bolt, 1/2" hex nut, 1/2" lock washer, & 1/2" star washer.



FIBERGLASS EQUIPMENT MOUNTS

Three Phase/Single Position 0° Mount



Material Specifications

Pole Gain

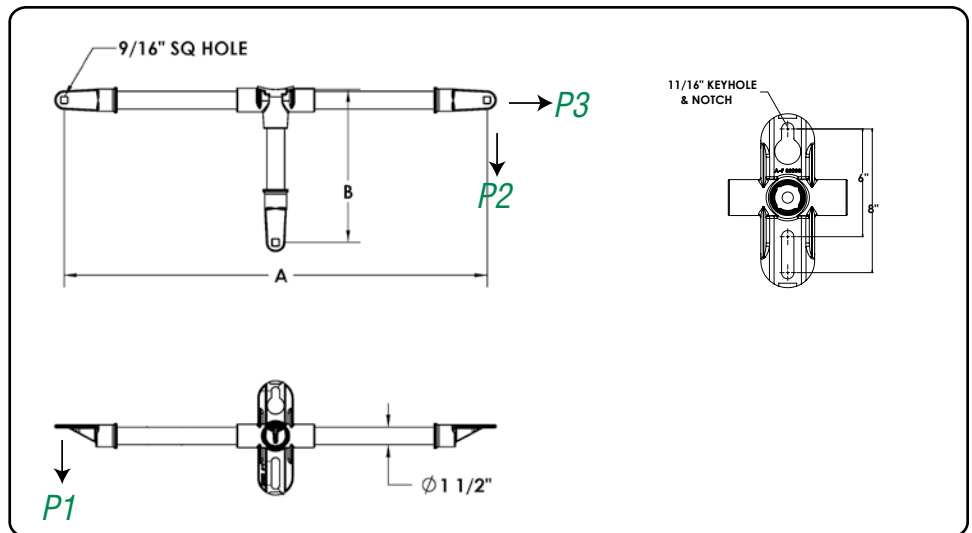
- 65-45-12 Ductile Iron, hot-dipped galvanized per ASTM A153 (6" to 8" mounting centers)
- Accepts 5/8" pole mounting hardware
- Can be banded using the Aluma-Form Bolt-A-Band banding system.

End Fitting

- 65-45-12 Ductile Iron, hot-dipped galvanized per ASTM A153

Fiberglass Rod

- 1-1/2" diameter Super-Smooth, proprietary veiled gray polyester rod with added ultraviolet protection



Spacer Bar Option

Cat# Suffix	Cat # to Order Separately W/O Hardware	Cat # to Order Separately w/ Hardware	Hole Center Spacing
T8	S1-BAR-T8	S1-BAR-T8-H	8"
T10	S1-BAR-T10	S1-BAR-T10-H	10"
T12	S1-BAR-T12	S1-BAR-T12-H	12"

Catalog Name	Rod Diameter	Outside Standoff Length, A ¹	Middle Standoff Length, B ¹	Spacer Bar Length	Hardware ²	Ultimate Load			Weight
						P1 (lbs)	P2 (lbs)	P3 (lbs)	
F3CA-MV-H3613-S1	1-1/2"	36"	13"	---	No	1,200	900	5,000	13.3 lbs.
F3CA-MV-H3613-S1-H	1-1/2"	36"	13"	---	Yes	1,200	900	5,000	13.9 lbs.
F3CA-MV-H3618-S1	1-1/2"	36"	18"	---	No	1,200	900	5,000	13.9 lbs.
F3CA-MV-H3618-S1-H	1-1/2"	36"	18"	---	Yes	1,200	900	5,000	14.5 lbs.
F3CA-MV-H4813-S1	1-1/2"	48"	13"	---	No	900	700	5,000	14.8 lbs.
F3CA-MV-H4813-S1-H	1-1/2"	48"	13"	---	Yes	900	700	5,000	15.4 lbs.
F3CA-MV-H4818-S1	1-1/2"	48"	18"	---	No	900	700	5,000	15.4 lbs.
F3CA-MV-H4818-S1-H	1-1/2"	48"	18"	---	Yes	900	700	5,000	16.0 lbs.
F3CA-MV-H4824-S1	1-1/2"	48"	24"	---	No	900	700	5,000	16.1 lbs.
F3CA-MV-H4824-S1-H	1-1/2"	48"	24"	---	Yes	900	700	5,000	16.8 lbs.
F3CA-MV-H4824-S1-HT10	1-1/2"	48"	24"	10"	Yes	900	700	5,000	20.4 lbs.

Notes:

1. Custom lengths available, contact factory or local sales representative.
2. Standard hardware includes captured 1/2" x 2" carriage bolt, 1/2" hex nut, 1/2" lock washer, & 1/2" star washer.



ALUMA-FORM®

FIBERGLASS EQUIPMENT MOUNTS

Three Phase/Double Position 0° Mount



Material Specifications

Pole Gain

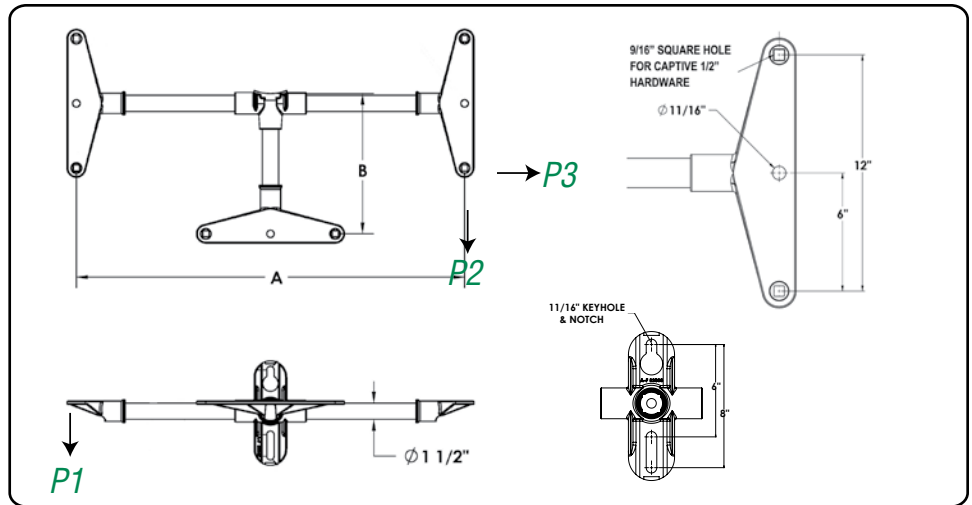
- 65-45-12 Ductile Iron, hot-dipped galvanized per ASTM A153 (6" to 8" mounting centers)
- Accepts 5/8" pole mounting hardware
- Can be banded using the Aluma-Form Bolt-A-Band banding system.

End Fitting

- 65-45-12 Ductile Iron, hot-dipped galvanized per ASTM A153

Fiberglass Rod

- 1-1/2" diameter Super-Smooth, proprietary veiled gray polyester rod with added ultraviolet protection



Catalog Name	Rod Diameter	Outside Standoff Length, A ¹	Middle Standoff Length, B ¹	Hardware ²	Ultimate Load			Weight
					P1 (lbs)	P2 (lbs)	P3 (lbs)	
F3CA-MV-H3613-D3	1-1/2"	36"	13"	No	1,200	900	10,000	19.4 lbs.
F3CA-MV-H3613-D3-H	1-1/2"	36"	13"	Yes	1,200	900	10,000	20.7 lbs.
F3CA-MV-H3618-D3	1-1/2"	36"	18"	No	1,200	900	10,000	20.0 lbs.
F3CA-MV-H3618-D3-H	1-1/2"	36"	18"	Yes	1,200	900	10,000	21.3 lbs.
F3CA-MV-H4813-D3	1-1/2"	48"	13"	No	900	700	10,000	20.9 lbs.
F3CA-MV-H4813-D3-H	1-1/2"	48"	13"	Yes	900	700	10,000	22.2 lbs.
F3CA-MV-H4818-D3	1-1/2"	48"	18"	No	900	700	10,000	21.5 lbs.
F3CA-MV-H4818-D3-H	1-1/2"	48"	18"	Yes	900	700	10,000	22.8 lbs.
F3CA-MV-H4824-D3	1-1/2"	48"	24"	No	900	700	10,000	22.3 lbs.
F3CA-MV-H4824-D3-H	1-1/2"	48"	24"	Yes	900	700	10,000	23.6 lbs.

Notes:

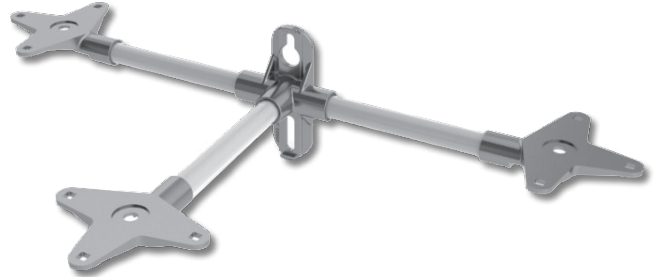
1. Custom lengths available, contact factory or local sales representative.
2. Standard hardware includes captured 1/2" x 2" carriage bolt, 1/2" hex nut, 1/2" lock washer, & 1/2" star washer.



ALUMA-FORM®

FIBERGLASS EQUIPMENT MOUNTS

Three Phase/Clover Leaf 4-Hole 0° Mount



Material Specifications

Pole Gain

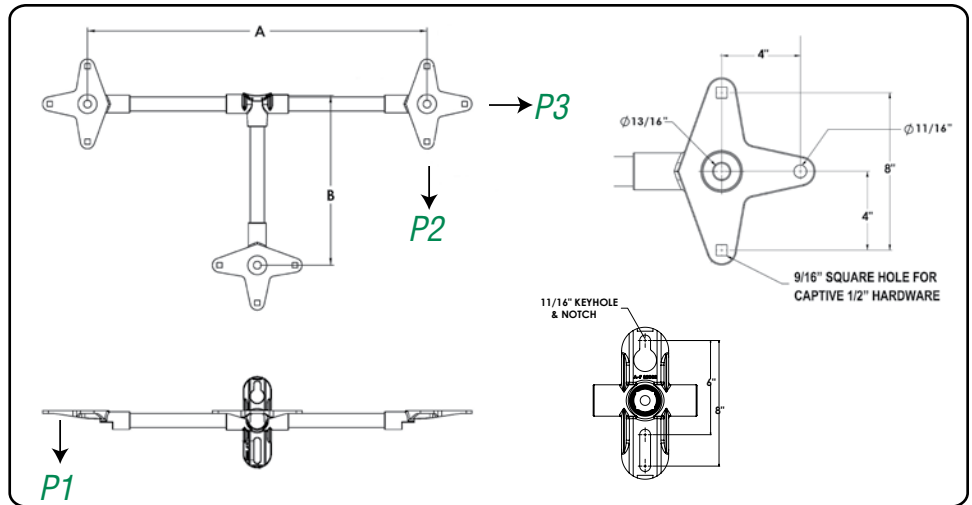
- 65-45-12 Ductile Iron, hot-dipped galvanized per ASTM A153 (6" to 8" mounting centers)
- Accepts 5/8" pole mounting hardware
- Can be banded using the Aluma-Form Bolt-A-Band banding system.

End Fitting

- 65-45-12 Ductile Iron, hot-dipped galvanized per ASTM A153

Fiberglass Rod

- 1-1/2" diameter Super-Smooth, proprietary veiled gray polyester rod with added ultraviolet protection



Catalog Name	Rod Diameter	Outside Standoff Length, A ¹	Middle Standoff Length, B ¹	Hardware ²	Ultimate Load			Weight
					P1 (lbs)	P2 (lbs)	P3 (lbs)	
F3CA-MV-H3613-C4	1-1/2"	36"	13"	No	1,200	900	10,000	19.0 lbs.
F3CA-MV-H3613-C4-H	1-1/2"	36"	13"	Yes	1,200	900	10,000	20.1 lbs.
F3CA-MV-H3618-C4	1-1/2"	36"	18"	No	1,200	900	10,000	19.4 lbs.
F3CA-MV-H3618-C4-H	1-1/2"	36"	18"	Yes	1,200	900	10,000	20.7 lbs.
F3CA-MV-H4813-C4	1-1/2"	48"	13"	No	900	700	10,000	20.3 lbs.
F3CA-MV-H4813-C4-H	1-1/2"	48"	13"	Yes	900	700	10,000	21.6 lbs.
F3CA-MV-H4818-C4	1-1/2"	48"	18"	No	900	700	10,000	20.9 lbs.
F3CA-MV-H4818-C4-H	1-1/2"	48"	18"	Yes	900	700	10,000	22.2 lbs.
F3CA-MV-H4824-C4	1-1/2"	48"	24"	No	900	700	10,000	21.6 lbs.
F3CA-MV-H4824-C4-H	1-1/2"	48"	24"	Yes	900	700	10,000	23.0 lbs.

Notes:

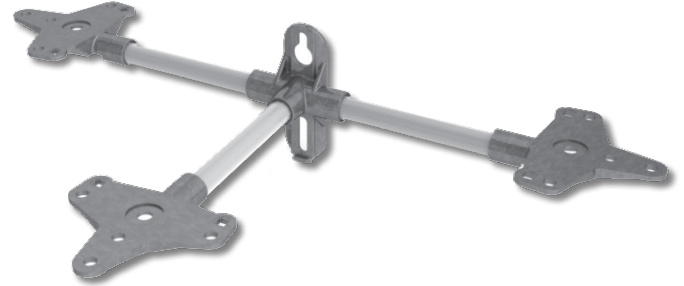
1. Custom lengths available, contact factory or local sales representative.
2. Standard hardware includes captured 1/2" x 2" carriage bolt, 1/2" hex nut, 1/2" lock washer, & 1/2" star washer.



ALUMA-FORM®

FIBERGLASS EQUIPMENT MOUNTS

Three Phase/Clover Leaf 7-Hole 0° Mount



Material Specifications

Pole Gain

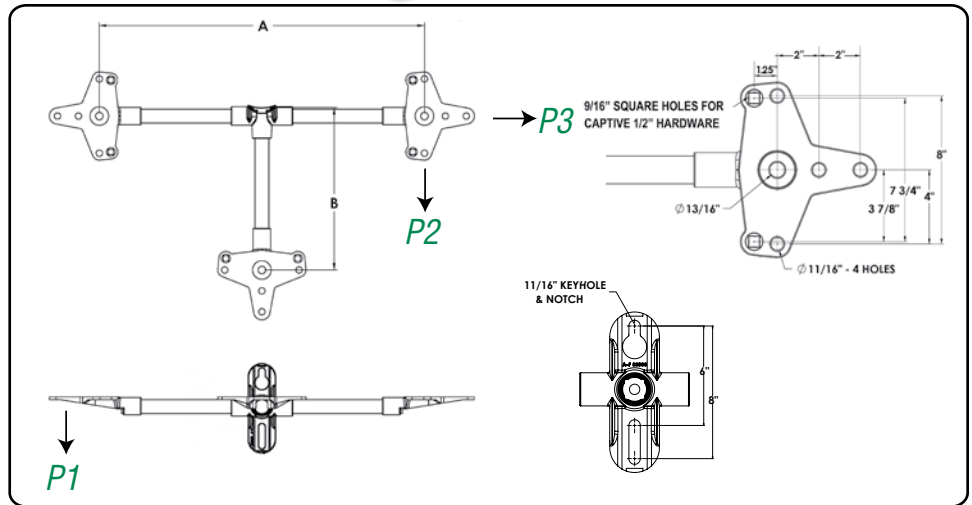
- 65-45-12 Ductile Iron, hot-dipped galvanized per ASTM A153 (6" to 8" mounting centers)
- Accepts 5/8" pole mounting hardware
- Can be banded using the Aluma-Form Bolt-A-Band banding system.

End Fitting

- 65-45-12 Ductile Iron, hot-dipped galvanized per ASTM A153

Fiberglass Rod

- 1-1/2" diameter Super-Smooth, proprietary veiled gray polyester rod with added ultraviolet protection



Catalog Name	Rod Diameter	Outside Standoff Length, A ¹	Middle Standoff Length, B ¹	Hardware ²	Ultimate Load			Weight
					P1 (lbs)	P2 (lbs)	P3 (lbs)	
F3CA-MV-H3613-C7	1-1/2"	36"	13"	No	1,200	900	10,000	19.9 lbs.
F3CA-MV-H3613-C7-H	1-1/2"	36"	13"	Yes	1,200	900	10,000	21.0 lbs.
F3CA-MV-H3618-C7	1-1/2"	36"	18"	No	1,200	900	10,000	20.3 lbs.
F3CA-MV-H3618-C7-H	1-1/2"	36"	18"	Yes	1,200	900	10,000	21.6 lbs.
F3CA-MV-H4813-C7	1-1/2"	48"	13"	No	900	700	10,000	21.2 lbs.
F3CA-MV-H4813-C7-H	1-1/2"	48"	13"	Yes	900	700	10,000	22.5 lbs.
F3CA-MV-H4818-C7	1-1/2"	48"	18"	No	900	700	10,000	21.8 lbs.
F3CA-MV-H4818-C7-H	1-1/2"	48"	18"	Yes	900	700	10,000	23.1 lbs.
F3CA-MV-H4824-C7	1-1/2"	48"	24"	No	900	700	10,000	22.5 lbs.
F3CA-MV-H4824-C7-H	1-1/2"	48"	24"	Yes	900	700	10,000	23.9 lbs.

Notes:

1. Custom lengths available, contact factory or local sales representative.
2. Standard hardware includes captured 1/2" x 2" carriage bolt, 1/2" hex nut, 1/2" lock washer, & 1/2" star washer.



ALUMA-FORM®

3625 Old Getwell Rd. / Memphis, TN 38118 / P.O. Box 18555 / Memphis, TN 38181-0555 / Phone 901-362-0100 / Fax 901-794-9515

www.alumaform.com

©2010 Aluma Form, Inc. 6/10/1M