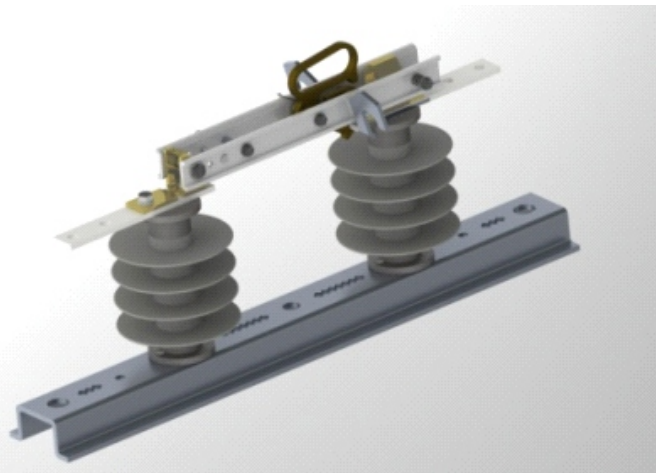
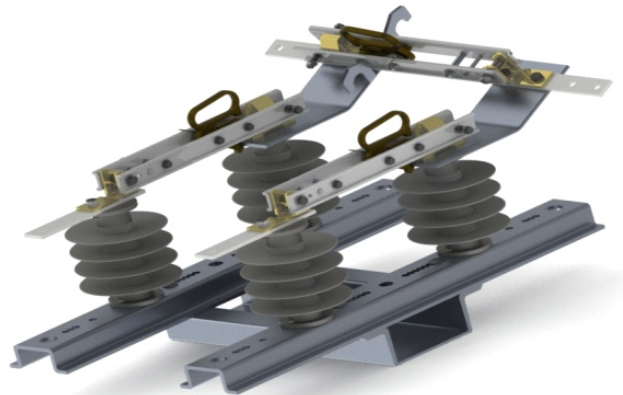
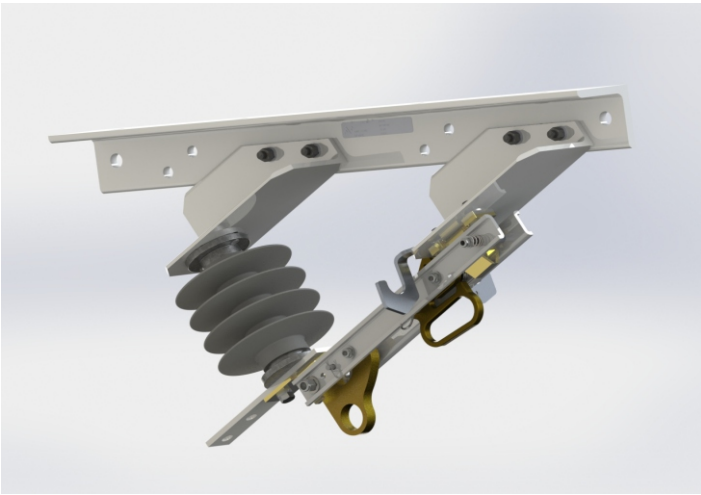




ALUMA-FORM®

Hookstick Switch Catalog





ALUMA-FORM®

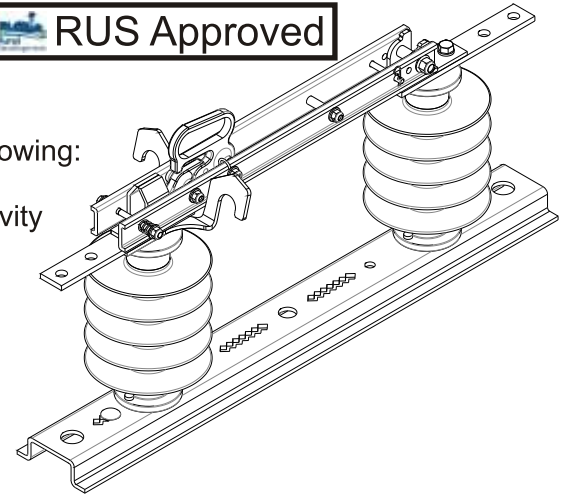
Hookstick-operated Disconnect Switch

Hookstick-operated Disconnect Switch



The Aluma-Form “HDS” switches are a best in class design that is a simple and reliable. Our hookstick operated disconnects feature the following:

- Silver plated blade assembly that provides superior electrical conductivity
- Blade design that provides mechanical rigidity
- Silver plated contact designed to maintain contact pressure
- Positive latch, effective pry-out mechanism
- Precision formed hinge terminal for low resistance connection
- Integral 90° blade stop

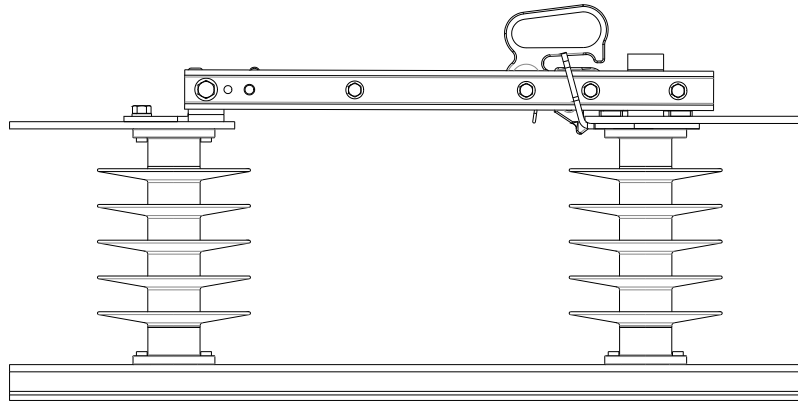


Application

The Aluma-Form “HDS” Disconnect Switch is a single-phase hookstick operated switch for manual switching of overhead lines on electrical distribution systems up to 38kV. Our HDS switches have ratings for 600 or 900 amps continuous, 40,000 amps momentary and 25,000 amps sym. 1-second short-time withstand.

Operation

All Aluma-Form “HDS” disconnect switches include loadbreak hooks which are for use with a loadbreak tool for opening the switch under load. **WARNING:** To open the switch under load, use only an approved loadbreak tool and refer to the tool manufacturer for instructions. Silver-plated blades and contacts enhance efficient current transfer



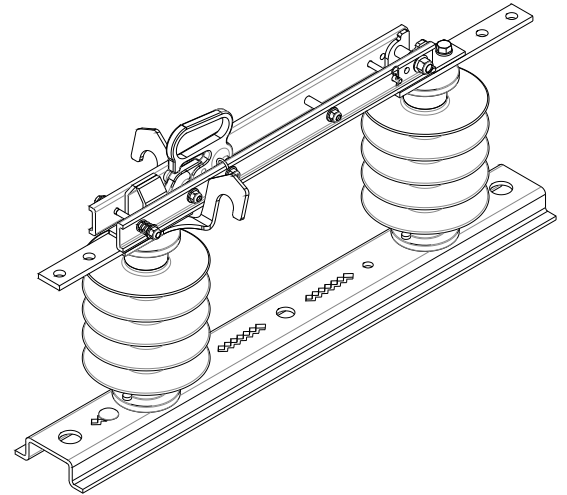
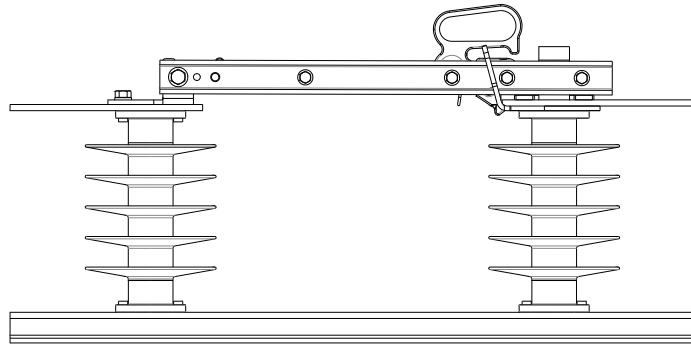
kV Class	Rated BIL	Material	Switch Electrical Ratings				Insulator Mechanical Ratings			
			Leakage distance (inches)	Dry Arc distance (inches)	60 Hz - Flashover (kV)		Cantilever Load (lbs)	Tension (lbs)	Torsion (lbs)	Compression (lbs)
					Wet	Dry				
15	110	Silicone	17.2	7.1	30	38	1,200	5,000	3,000	5,000
		Porcelain	10.5	6	30	38	1,200	5,000	3,000	5,000
27	125	Silicone	21.9	8.1	50	60	1,000	5,000	3,000	5,000
		Porcelain	15.5	7	50	60	1,000	5,000	3,000	5,000
38	150	Silicone	28	10	60	70	800	5,000	3,000	5,000
		Porcelain	24	9.5	60	70	800	5,000	3,000	5,000



ALUMA-FORM®

Hookstick-operated Disconnect Switch

Hookstick-operated Disconnect Switch



HDS - 600A - 15S - 110 - A S 2A

Hookstick
Disconnect
Switch

600 Amp
900 Amp

15kV
27kV
38kV

Silicone Insulator
Porcelain Insulator

110 BIL (15kV)
125 BIL (27kV)
150 BIL (38kV)

Galv. Steel Base - D
Aluminum Base - A

Serrated Slots - T
Smooth Slots - S

No Hardware - 0
3/8" X 8" Carriage Bolts - 1
3/8" X 10" Carriage Bolt - 2
1/2" X 10" Hex Bolts - 3

No Backplate - 0
Galv. Steel Backplate - D
Aluminum Backplate - A



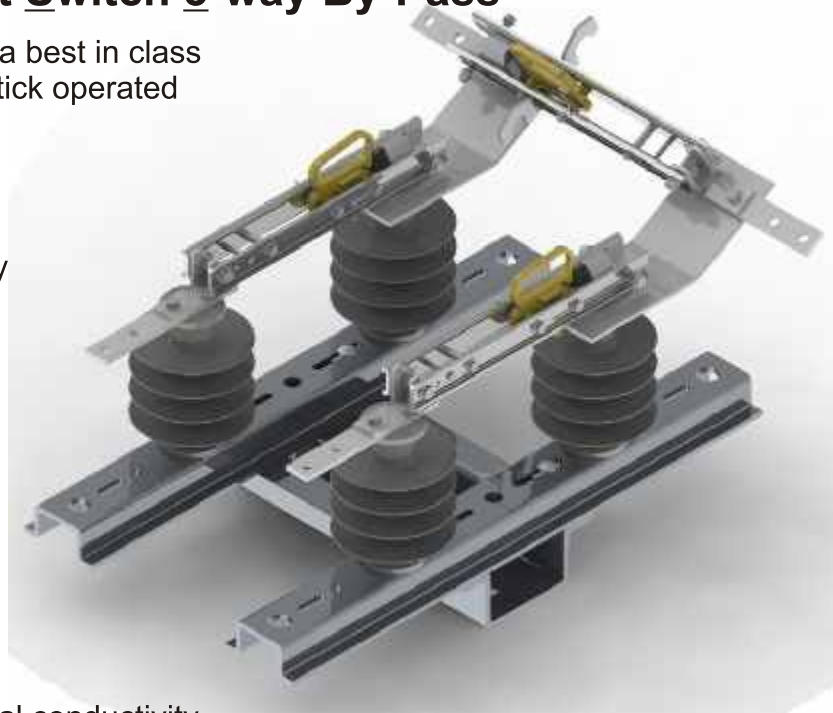
ALUMA-FORM®

Hookstick-operated Disconnect Switch

Hookstick-operated Disconnect Switch 3-way By-Pass

The Aluma-Form “**HDS3**” bypass switches are a best in class design that is a simple and reliable. Our hookstick operated bypass switch feature the following:

- Silver plated blade assembly that provides superior electrical conductivity
- Blade design that provides mechanical rigidity
- Silver plated contact designed to maintain contact pressure
- Easy blade opening & closing (longest mechanical advantage)
- Precision formed hinge terminal for low Resistance connection
- Positive latch, effective pry-out mechanism
- Integral 90° blade stop

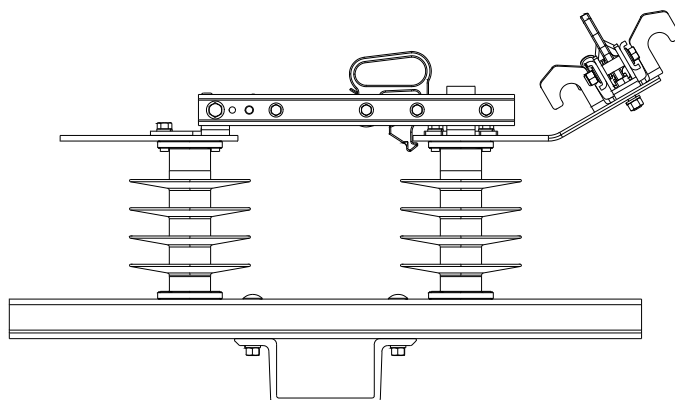


The **HDS3** bypass switch offers a large area of contact with our Blade (unique cathedral design) at the upper connection point for optimal conductivity and temperature rise Lightweight Aluminum Base – Standard (20-40% Lighter)

Our **HDS3** bypass switch also offers a contact design that avoids any areas for trapped ice to interfere with blade structure. Large formed galvanized steel load buster hook optimally positioned for easy loadbuster tool attachment and removal after opening.

Operation

All Aluma-Form “**HDS3**” bypass switches include loadbreak hooks which are for use with a loadbreak tool for opening the switch under load. **WARNING:** To open the switch under load, use only an approved loadbreak tool and refer to the tool manufacturer for instructions.

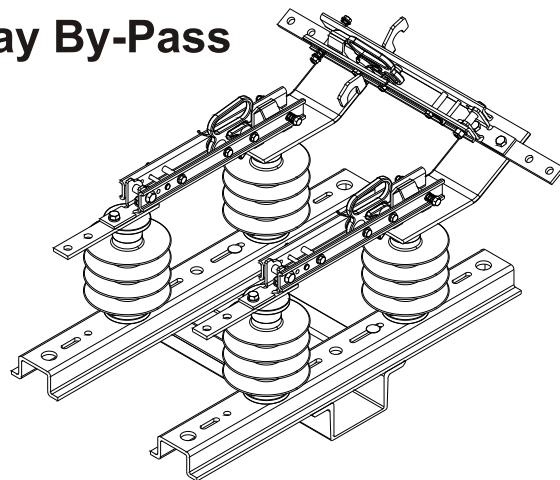
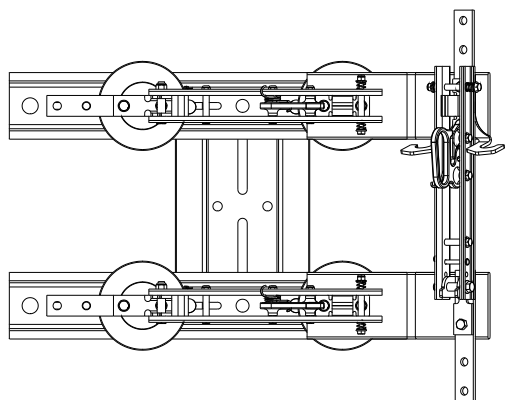




ALUMA-FORM®

Hookstick-operated Disconnect Switch

Hookstick-operated Disconnect Switch 3-way By-Pass



HDS3-600A-R30-15S-110-1S-NN

Hookstick
Disconnect
Switch
3-way

600 Amp
900 Amp

15kV
27kV
38kV

110 BIL (15kV)
125 BIL (27kV)
150 BIL (27kV)
150 BIL (38kV)

Right Hand
Left Hand

By-Pass Blade
Opening

00 - Straight
30 - 30° Angle

By-Pass Blade
Angle

Silicone
Porcelain

Insulator
Type

1 - Hooks @ By-Pass only
3 - Hook @ all locations

Loadbuster Hook
Locations

S - Straight
A - 30° Angle
B - 45° Angle
C - Custom

Terminal
Options

N - None
H - Hardware
P - Parallel Groove
Connector

Connector Options

H = SS 1/2"x 2" Hex bolts, washer, & nut

N - None
B - Back Plate
P - Pole Mounting Bracket

Mounting Options

B = 1/2"x 10" Hex bolts, washer, & nut



ALUMA-FORM®

Single Insulated Disconnect Switch



HDS - 600A - SI - 15 S - 110 - B

Hookstick
Disconnect
Switch

Amperage
Rating

600A
900A

Switch Type

Single
Insulator

Insulation
Rating

15-15kV
27-27kV
35-35kV

Insulator
Material

P- Porcelain
S- Silicone

Insulator BIL
Rating

110 BIL- 15kv
125 BIL - 27kv
150 BIL- 27kv

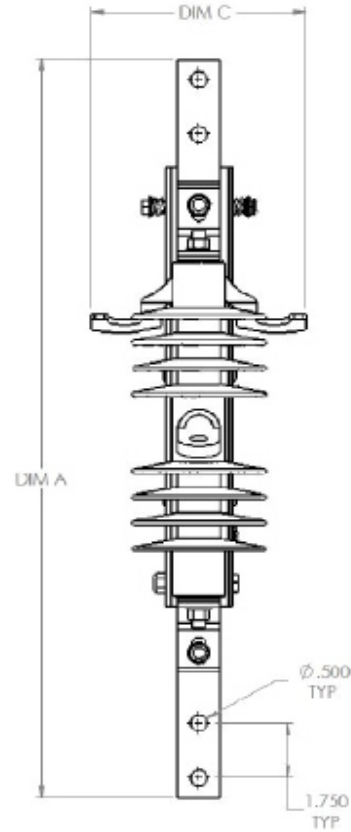
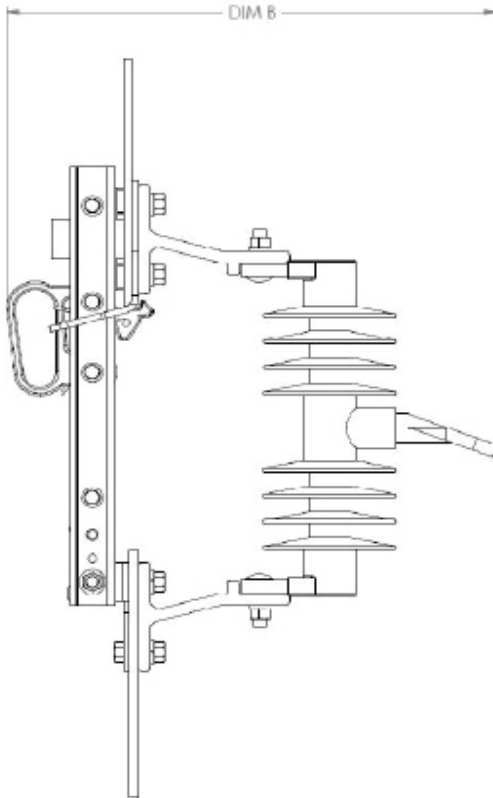
Bracket Options

B - Nema B
X - Extended Nema B
N - No Bracket



ALUMA-FORM®

Single Insulated Disconnect Switch

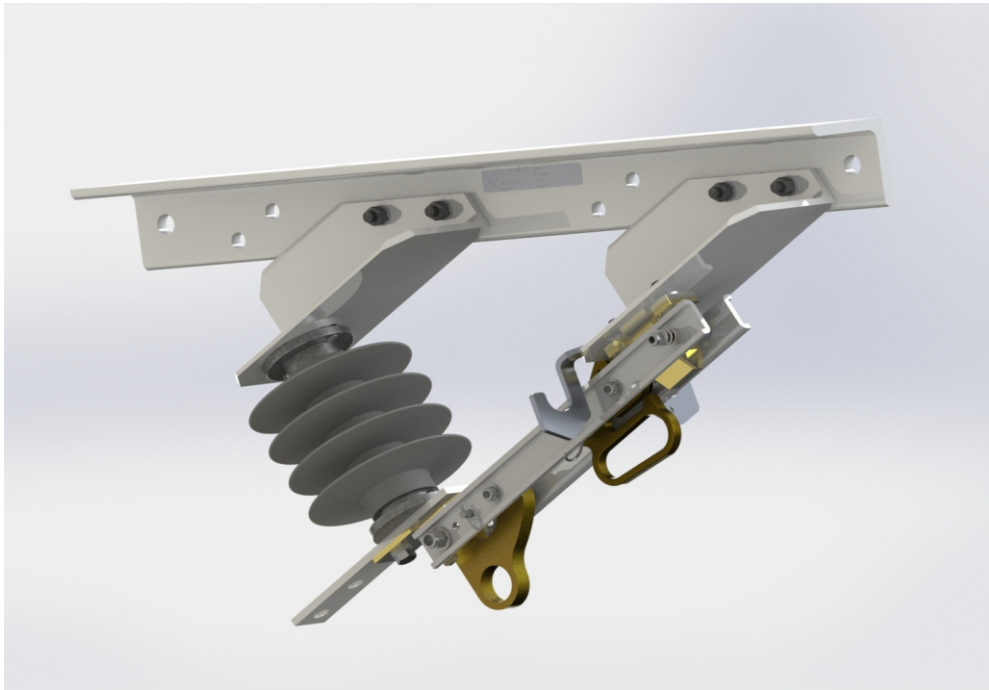


Kv Rating	Rated BIL	Amp	Material	Dim A	Dim B	Dim C	Switch Electrical Ratings	
							Mom. kA	3 Sec kA
15	110	600	Silicon	24"	14.75"	6.5"	40	25
15	110	900	Silicon	24"	14.75"	6.5"	40	25
27	125	600	Silicon	28"	14"	6.5"	40	25
27	125	900	Silicon	28"	14"	6.5"	40	25
35	150	600	Silicon	28"	14.75"	6.5"	40	25
35	150	900	Silicon	28"	14.75"	6.5"	40	25



ALUMA-FORM®

Line Tap Switch



Features of Aluma-Form Line Tap Switch

15kv, 28kv and 35kv Ratings Available in both 600A and 900A
Available in Porcelain and Polymer
Silver Plated Blades and Hinges
Tin Plated Contacts
Best Electrical Conductivity
Corrosion Resistant Style Available
Multiple Hanger Options
Pull to Open and Pull to Close Optional Handle



ALUMA-FORM®

Line Tap Switch

Catalog Number System

HDS - 600A - LT - 15 S - 110 - N - 50 - L

Disconnect Switch	Amperage Rating	Switch Type	Insulation Rating	Insulator Material	Insulator BIL Rating	Terminal Options	Hanger Options	Other Options
	600A	LT - Line Tap	15-15kV	P- Porcelain	110 - 110kV BIL	P - Aluminum Parallel Groove Clamp H - SS Captive Hdwe - (4) 1/2x2-1/2" Bolt, Washers & Nut CR - Corrosion Resistant (SST, Hardware, Alum Insulator Posts, SST Loadbuster Hook) BT - Bridge Type Clamp N - None	50 - 1/2" Hangers	L- Pull to Open / Pull to Close Lever
	900A		27-27kV	S- Silicone	125 - 125kV BIL		75 - 3/4" Hangers	
			35-35kV		150 - 150kV BIL		100 - 1" Hangers	
					200 - 200kV BIL			



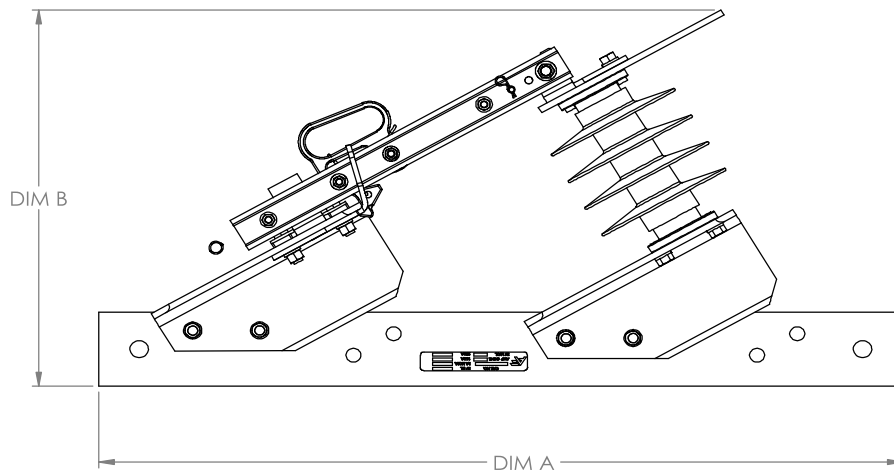
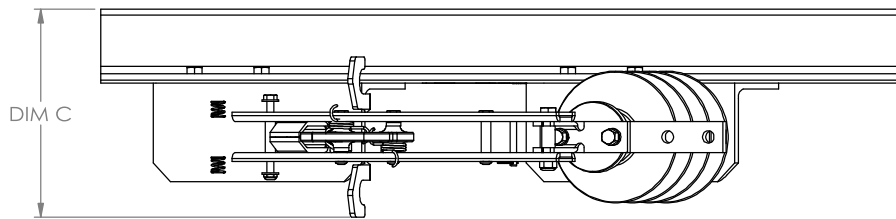


ALUMA-FORM®

Line Tap Switch

Technical Data

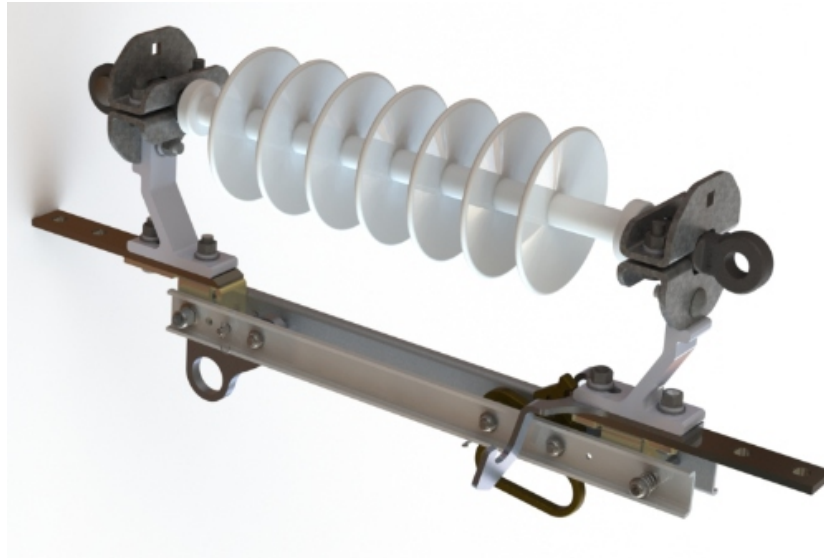
Kv Rating	Rated BIL	Amp	Material	Dim A	Dim B	Dim C	Switch Electrical Ratings	
							Mom. kA	3 Sec kA
15	110	600	Silicon	30"	15.5"	8.5"	40	25
15	110	900	Silicon	30"	15.5"	8.5"	40	25
27	125	600	Silicon	34"	17"	8.5"	40	25
27	125	900	Silicon	34"	17"	8.5"	40	25
27	150	600	Silicon	36"	18"	8.5"	40	25
27	150	900	Silicon	36"	18"	8.5"	40	25
35	150	600	Silicon	36"	18"	8.5"	40	25
35	150	900	Silicon	36"	18"	8.5"	40	25





ALUMA-FORM®

In-Line Switch



Features of Aluma-Form In-Line Switch

- Comes standard with the “Pull to Close” handle
- Uses the 200 BIL 35kV DEI
- Single switch rated for 15, 27, and 35 kV
- Offered in 600A and 900A
- Same terminal options as all other switches
- Same component features as all other switches (i.e silver plated blades, contact, etc)
- Offered in Standard, Corrosion Resistant, and Marine Grade offered:
 - Standard – Hot dip galvanized hardware (ASTM A153)
 - Corrosion Resistant – 304 & 18-8 stainless steel hardware
 - Marine Grade – 316 stainless steel hardware with tin plate aluminum components



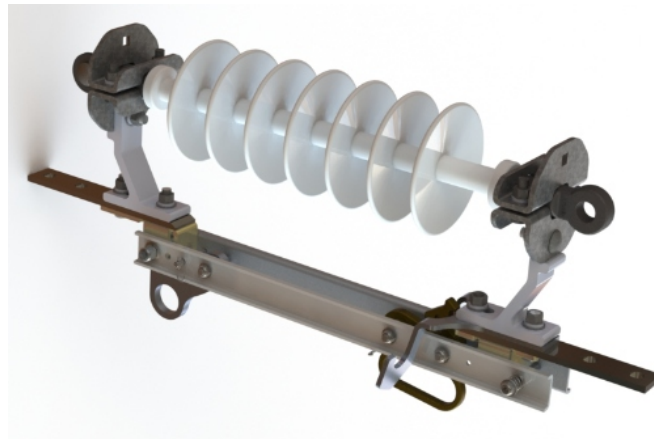
ALUMA-FORM®

In-Line Switch

Catalog Number System

HDS - 600A - IN - 35 S - 200 - N - L

Disconnect Switch	Amperage Rating	Switch Type	Insulation Rating	Insulator Material	Insulator BIL Rating	Terminal Options	Other Options
	600A 900A	IN - In Line Switch	35 - 15-35kV	S - Silicone	200 - 200kV BIL	N = None P - Aluminum Parallel Groove Clamp H - SS Captive Hdwe - (4) 1/2x2-1/2" Bolt, Washers & Nut B - Bridge Type Clamp	L- Pull to Open / Pull to Close Lever V - Visual Indicator C - Corrosion Resistant (SST, Hardware, Alum Insulator Posts, SST Loadbuster Hook) M - Marine Grade (316SS & Si Bronze Hdwe, Tin Plated Al Mounts, 316SS Insulator Terminals)





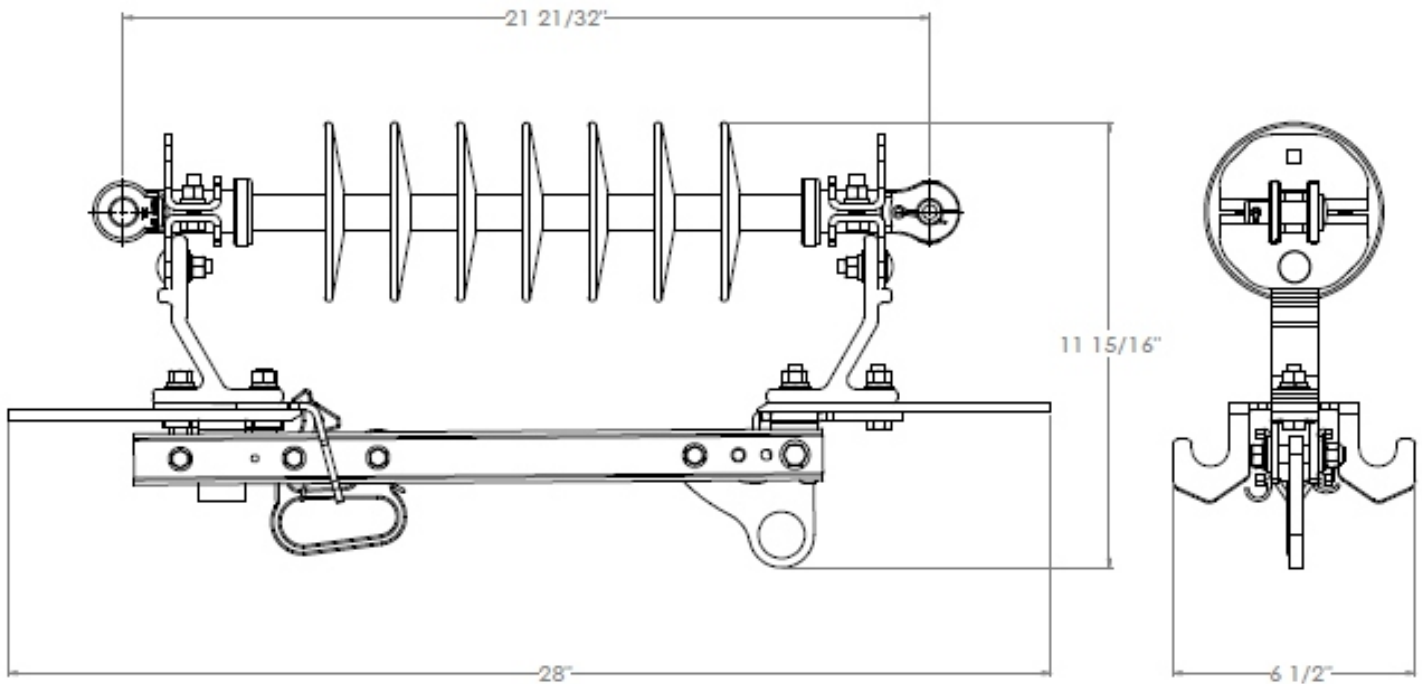
ALUMA-FORM®

In-Line Switch

Technical Data

KV Class	Continuous Current Rating (Amp)	BIL (LIW)	Leakage Distance	AC Withstand (Dry)	AC Withstand (Wet)	CFO (Pos.)	Tensile (Ultimate)	Momentary Current Rating (asymmetrical)	Short Time Withstand Current (1 sec) (symmetrical)
38kV **	600A	200 BIL	37.6	170	155	280	15,000 lbs	40,000A	25,000A
38kV **	900A	200 BIL	37.6	170	155	280	15,000 lbs	40,000A	25,000A

** distribution voltages up to 38kV





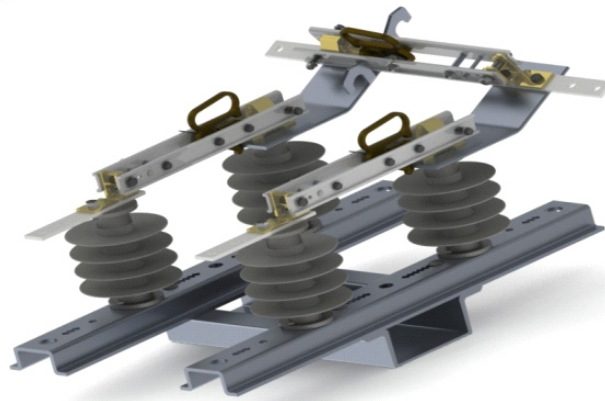
ALUMA-FORM®



Memphis, TN



Walnut, MS



Aluma-Form, Inc.

3625 Old Getwell Road
Memphis, TN 38118
W - (901) 362-0100 ext 1153
C - (901) 937-9174
www.alumaform.com