



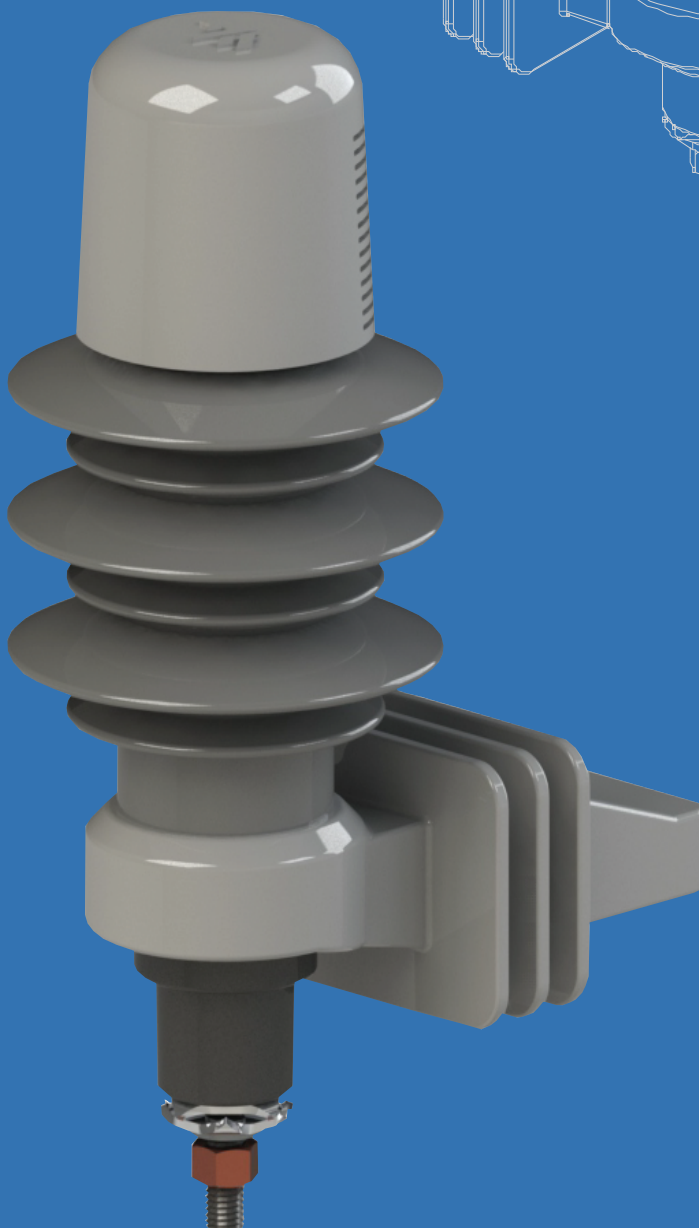
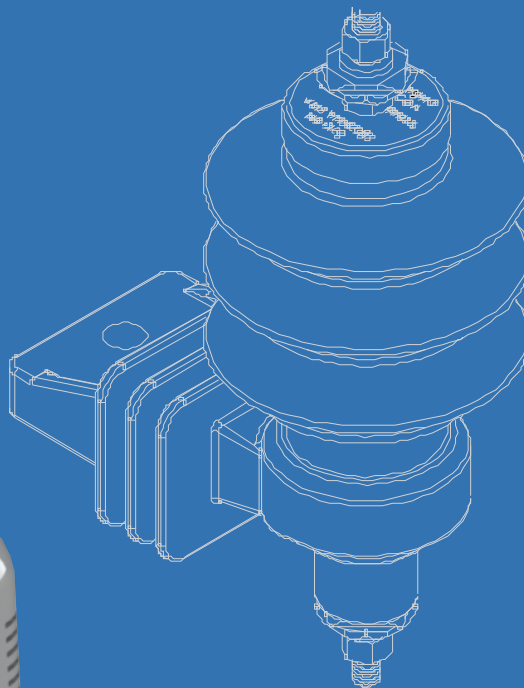
DISTRIBUTION ARRESTERS CATALOG

Tested to the latest
IEEE C62.11
standards

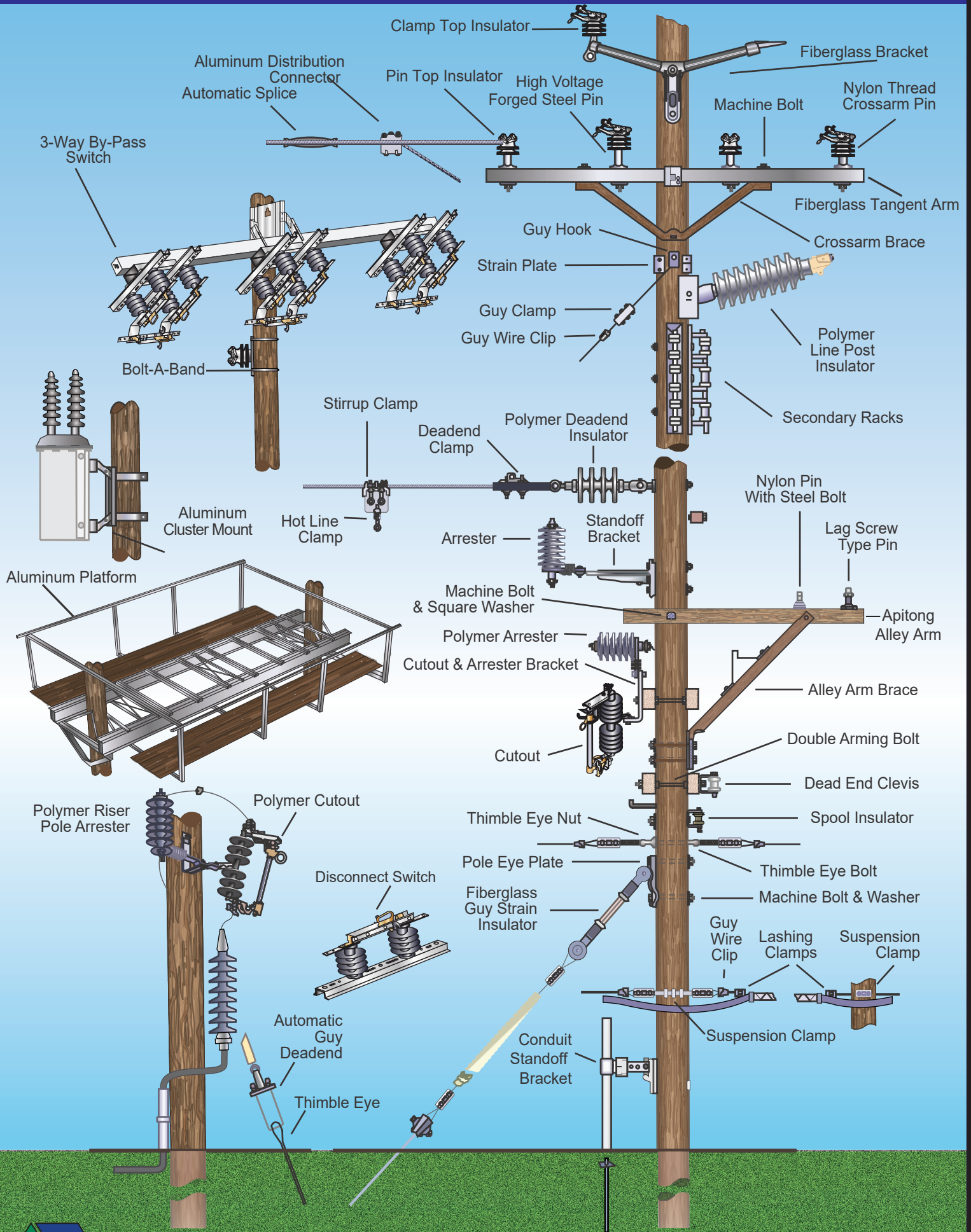
HIGH STRENGTH
FIBERGLASS
ISOLATOR
BRACKETS

GROUND LEAD
DISCONNECT
WILL OPERATE
WITH A MINIMUM
OF 1 AMP

PROTECTIVE CAP



Aluma - Form, INC.





ALUMA-FORM®

Heavy Duty & Riser Pole Arrestor

Best in class design. Complete offering has passed the latest ANSI/IEEE standards and are **RUS approved**.

Our arrester terminal options include Stainless steel stud, washers, and wire clamps with silicon bronze nut.

The stainless steel protective cap wrap around design protects the top edge of the insulator and provides an area for the arrester's specifications to be engraved.

The aluminum alloy electrode is threaded, glued, and pinned into the tube structure. Benefits are:

- Eliminates extreme pressure spikes during surges.
- Resists rotation from tightening hardware.
- Prevents movement from vibration and temperature cycles.

Seamless tube provides the best choice for arrester housings

- Ultimate structural integrity throughout the arrester housing compared to other methods (wrap / cage)
- Precision dimensional control for tighter tolerance

Proprietary blended silicon rubber fully encapsulates arrester stack.

- Hermetically sealed
- No chance of air/water ingress
- Sheds sized and shaped for optimized insulating properties

Isolator bracket constructed using high strength fiberglass

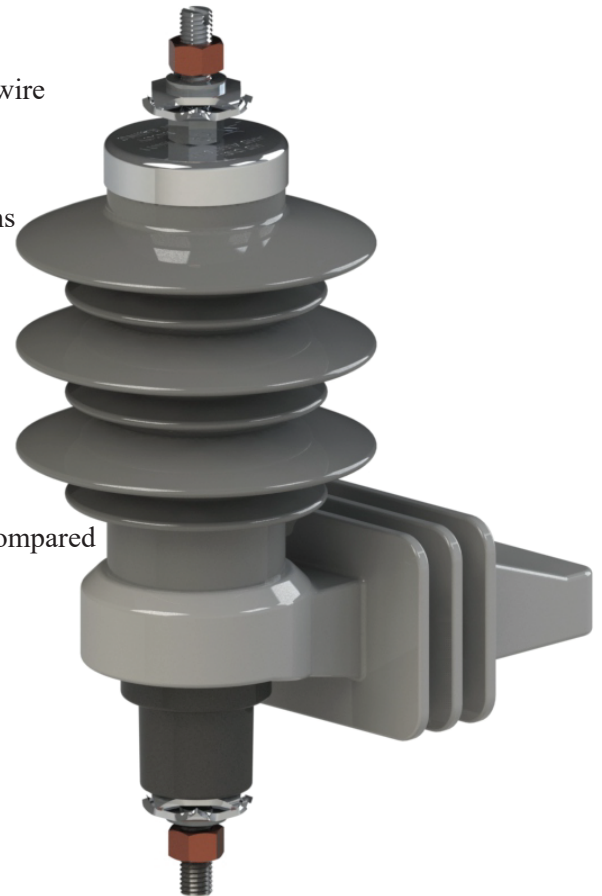
- UV resistant
- Flame resistant
- Solid body
- Universal design for size interchangeability
- Three sizes available

Ground lead disconnect meets all of the most current IEEE testing requirements

- External mount for easier identification of operation
- No wrench design to alleviate potential damage
- Superior low current performance

Optional wildlife protector allows for isolation of connections

- UV resistant
- Impact resistant
- High Profile for maximum internal volume



ALUMA-FORM®
3625 Old Getwell Rd. / Memphis, TN 38118 / P.O. Box 18555 / Memphis, TN 38181-0555 / Phone 901-362-0100 / Fax 901-794-9515
www.alumaform.com

©2020 Aluma-Form, Inc. 7/20

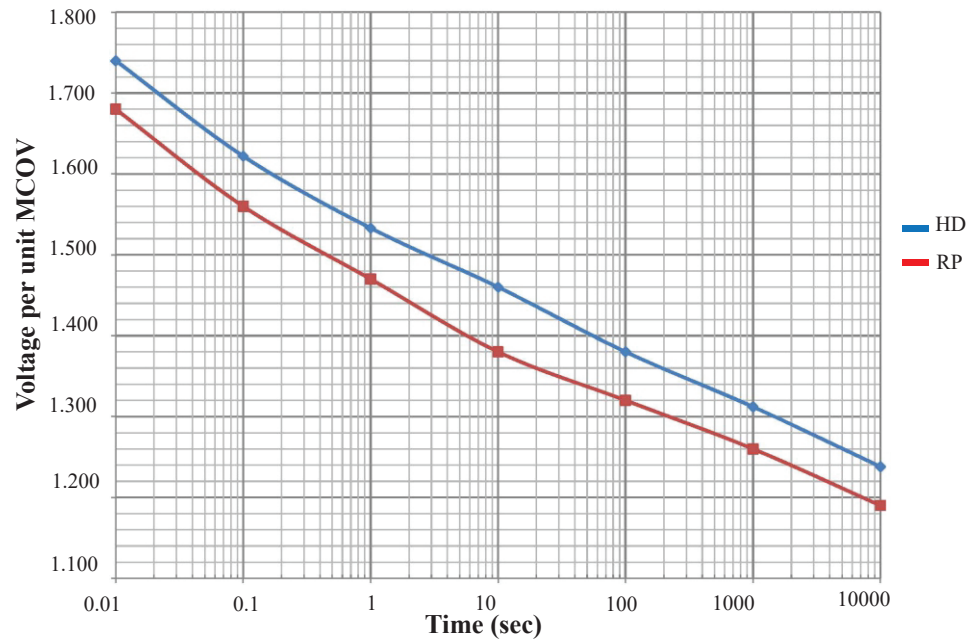


ALUMA-FORM®

Heavy Duty Arrester Characteristics



TOV Curve - No Prior Duty



Rated Voltage	MCOV	FOW	Switching	Lightning - 8/20					
				1.5kA	3kA	5kA	10kA	20kA	40kA
3	2.55	10.3	7.5	7.8	8.4	8.7	9.4	10.7	12.5
6	5.1	20.4	14.9	15.6	16.8	17.2	18.6	21.2	24.8
9	7.65	30.5	22.2	23	24.9	25.7	27.8	31.7	37.2
10	8.4	33.8	24.1	25.2	27.1	28.3	30.7	34.8	40.8
12	10.2	40.4	29.2	30.4	32.8	34.1	37	42.2	49.4
15	12.7	50.5	36.5	38.1	41	42.8	46.2	52.7	61.7
18	15.3	60.6	43.4	45.3	49.2	51	55.4	63.2	73.9
21	17	70.7	51.1	53.1	57	59.4	64.5	73.6	86.1
24	19.5	80.8	58.4	60.8	65.2	67.8	73.6	84	98.4
27	22	90.9	65.7	68.4	73.4	76.4	82.8	94.6	110.8
30	24.4	101	74	75.6	80.8	85	94	105.5	124
33	27	111.1	81.4	85.1	90.4	93.5	103.4	115.5	136.4
36	29	121.2	88.8	90.7	97.1	102	112.8	126	148.8



ALUMA-FORM®

3625 Old Getwell Rd. / Memphis, TN 38118 / P.O. Box 18555 / Memphis, TN 38181-0555 / Phone 901-362-0100 / Fax 901-794-9515
www.alumaform.com

©2020 Aluma-Form, Inc. 7/20

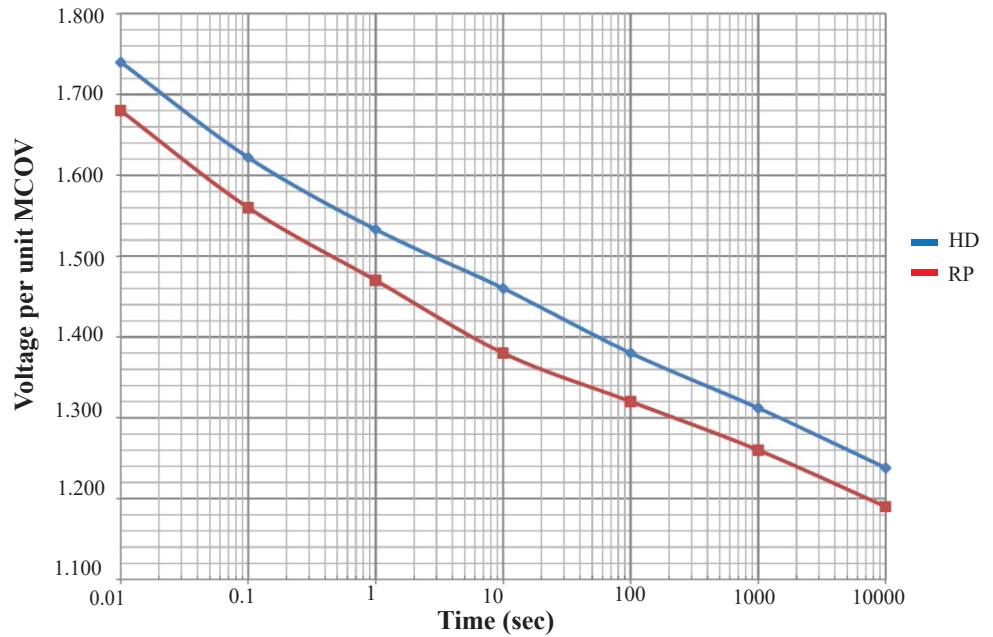


ALUMA-FORM®

Riser Pole Arrester Characteristics



TOV Curve - No Prior Duty



Rated Voltage	MCOV	FOW	Switching	Lightning - 8/20					
				1.5kA	3kA	5kA	10kA	20kA	40kA
3	2.55	9.4	7.1	7.2	7.7	8.1	8.8	9.9	11.7
6	5.1	18.8	14.2	14.4	15.2	16.2	17.6	19.8	23.4
9	7.65	27.1	18.5	21	22.3	23.4	24.8	28.1	32.5
10	8.4	29.5	22	23.1	24.5	25.6	27.1	31	35.8
12	10.2	35.7	26.3	28.2	29.4	30.5	32.5	36.5	42.6
15	12.7	44.5	32.7	34.1	35.3	37.6	40.3	45.6	53
18	15.3	54.3	38.8	41.2	43.6	44.9	49	55.4	63.5
21	17	61	45.6	46.8	49.2	51.8	56.1	63.5	73.7
24	19.5	70.3	51.3	54.1	56.5	60.2	65	73.4	84.9
27	22	79.2	58	60.8	64.5	67.6	72.5	82.6	95
30	24.4	88.6	64.3	67.9	72.1	75.3	81.5	91.4	107.1
33	27	97.5	72.2	74.8	79.5	82.2	90	100.5	116.3
36	29	105	76.3	80.5	85.5	89.4	96.5	110	126.5



ALUMA-FORM®
3625 Old Getwell Rd. / Memphis, TN 38118 / P.O. Box 18555 / Memphis, TN 38181-0555 / Phone 901-362-0100 / Fax 901-794-9515
www.alumaform.com

©2020 Aluma-Form, Inc. 7/20

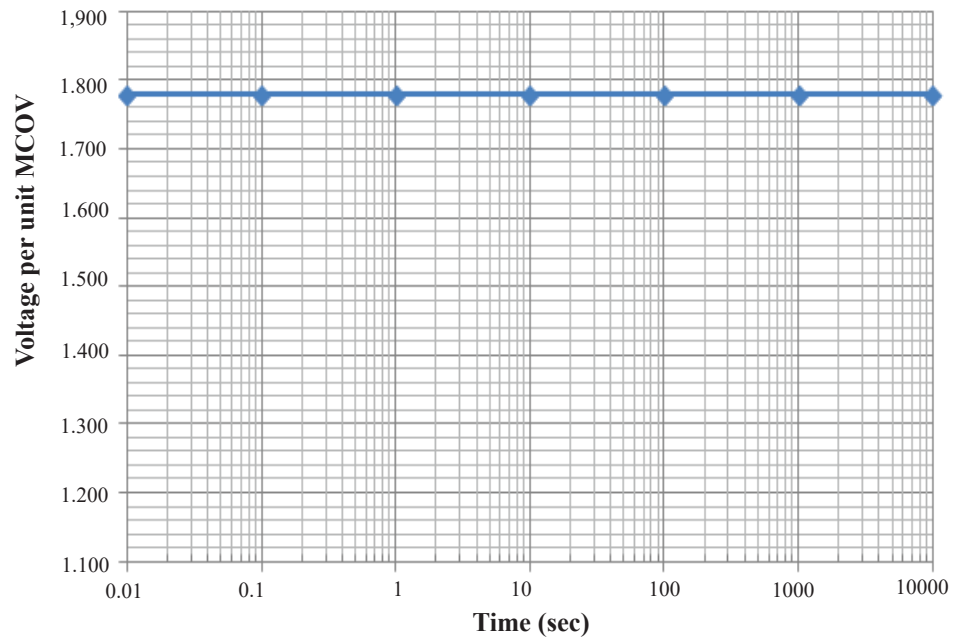


“Titan” Arrester Characteristics

ALUMA-FORM®



TOV Curve - No Prior Duty



Rated Voltage	MCOV	Min 60 Hz Sparkover	FOW	Switching	Lightning - 8/20					
					1.5kA	3kA	5kA	10kA	20kA	40kA
3	2.55	4.6	20	7.5	7.8	8.4	8.7	9.4	10.7	12.5
6	5.1	9.1	23	14.9	15.6	16.8	17.2	18.6	21.2	24.8
9	7.65	13.6	32.4	17.8	18.9	20.1	21	22.9	25.4	28.6
10	8.4	15	32.4	19	20	20.9	22.3	24.3	26.9	30.3
12	10.2	18.2	52.4	23.8	25.2	26.8	28	30.6	33.8	38.1
15	12.7	22.6	55.4	28.8	30	32.3	35	38.3	43.6	51
18	15.3	27.2	64.8	35.7	37.8	40.3	42.1	45.9	50.7	57.1
21	17	30.3	64.8	37.8	40	43.1	46.1	50.5	57.6	67
24	19.5	34.7	87.8	43.8	46.2	50	53.2	58.1	67	78
27	22	39.2	97.2	50.8	53.8	57.4	60	65.4	72.3	81.6
30	24.4	43.4	117.2	55.3	58.6	63.2	67.7	74	85	98
33	27	48.1	120.2	62.8	66.6	71.7	77	84	96	115
36	29	51.6	129.6	66.4	70.4	76	81	89	102	118



ALUMA-FORM®

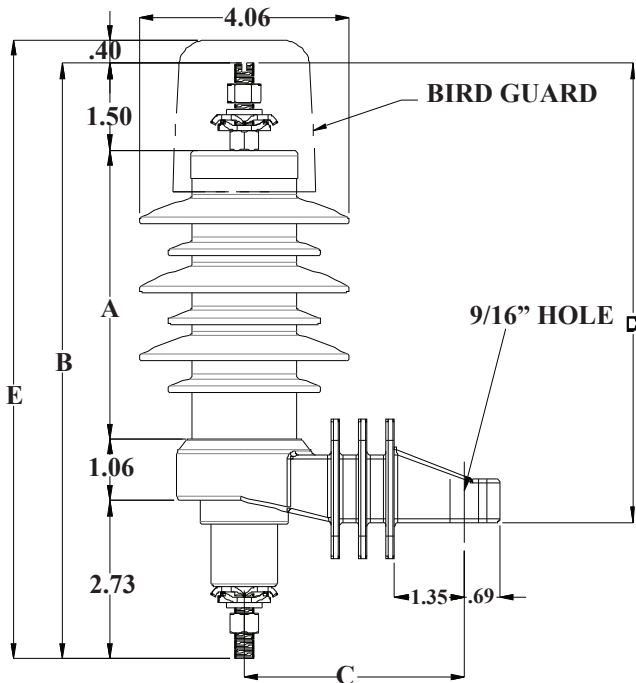
3625 Old Getwell Rd. / Memphis, TN 38118 / P.O. Box 18555 / Memphis, TN 38181-0555 / Phone 901-362-0100 / Fax 901-794-9515
www.alumaform.com

©2020 Aluma-Form, Inc. 7/20



ALUMA-FORM®

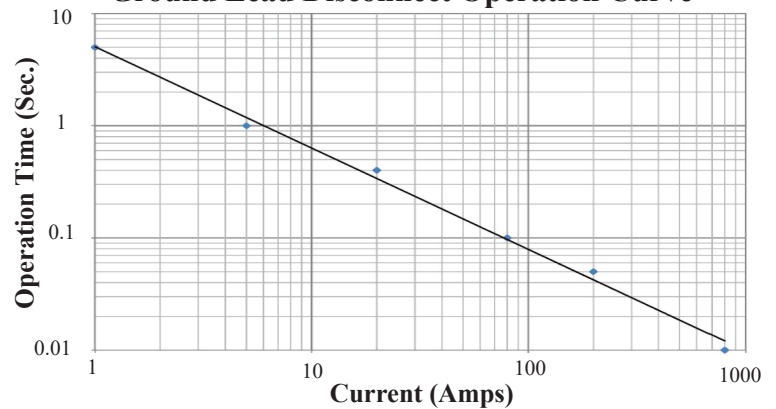
Arrester Characteristics



Ground Lead Disconnect Curve

The Aluma-Form Ground Lead Disconnect (GLD) will operate efficiently down to 1 amp. Our GLD will operate in under 1 second at 5 amps. It will also operate in under 5 seconds at 1 amp. The following curve (below) shows the operating range of our GLD

Ground Lead Disconnect Operation Curve



Catalog Name	Voltage Rating	Creepage (Inches)	Housing	Housing Length "A"	B	C	D	E	Weight (lbs)	Isolator Bracket
AHD-03**	3	9.1	A	3-13/16	9-1/8	4.25	6-5/8	9-9/16	2.9	1
AHD-06**	6	13.4	B	5	10-5/16	4.25	7-13/16	10-3/4	3.1	1
AHD-09**	9	13.4	B	5	10-5/16	4.25	7-13/16	10-3/4	3.2	1
AHD-010**	10	13.4	B	5	10-5/16	4.25	7-13/16	10-3/4	3.2	1
AHD-012**	12	17.3	C	6-1/2	11-7/8	5	9-3/8	12-5/16	4.2	2
AHD-015**	15	25.2	D	8-13/16	14-15/16	5	12-7/16	15-3/8	4.5	2
AHD-018**	18	25.2	D	8-13/16	14-15/16	6	12-7/16	15-3/8	4.5	3
AHD-021**	21	29.1	E	10	15-1/4	6	12-3/4	15-3/4	5.1	3
AHD-024**	24	33.5	F	11-1/4	16-1/2	6	14	16-7/8	5.5	3
AHD-027**	27	33.5	F	11-1/4	16-1/2	6	14	16-7/8	5.5	3
AHD-030**	30	42.3	G	13-3/4	19-5/16	6	17	19-3/4	6.5	3
AHD-033**	33	42.3	G	13-3/4	19-5/16	6	17	19-3/4	6.5	3
AHD-036**	36	49.4	H	15-11/16	20-15-16	6	18-7/16	21-3/8	7.8	3

** For riser pole change "AHD" to "ARP"



ALUMA-FORM®

3625 Old Getwell Rd. / Memphis, TN 38118 / P.O. Box 18555 / Memphis, TN 38181-0555 / Phone 901-362-0100 / Fax 901-794-9515
www.alumaform.com

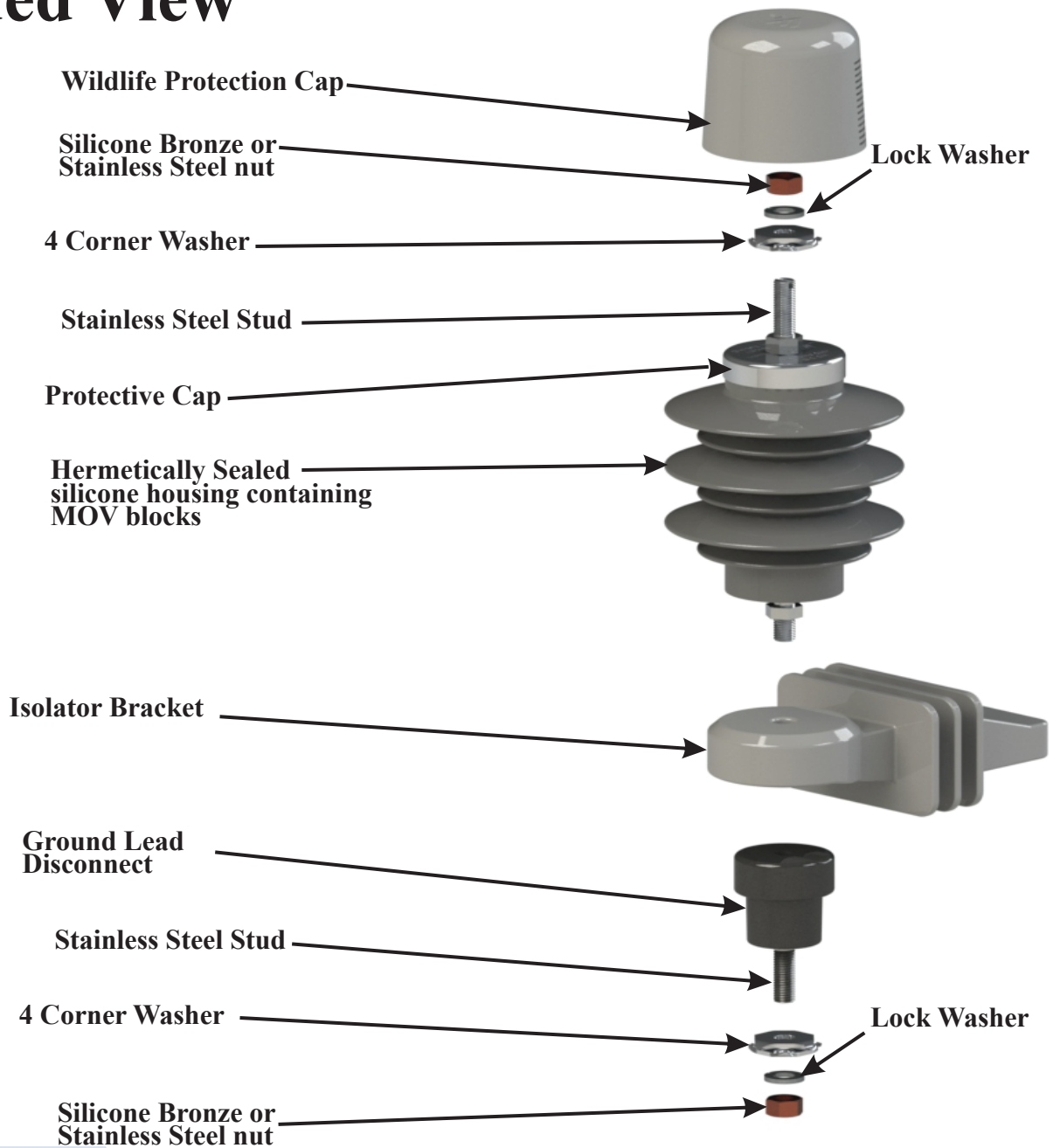
©2020 Aluma-Form, Inc. 7/20



ALUMA-FORM®

Heavy Duty & Riser Pole Arresters

Exploded View



ALUMA-FORM®

3625 Old Getwell Rd. / Memphis, TN 38118 / P.O. Box 18555 / Memphis, TN 38181-0555 / Phone 901-362-0100 / Fax 901-794-9515

www.alumaform.com

©2020 Aluma-Form, Inc. 7/20



ALUMA-FORM®

Heavy Duty & Riser Pole Arresters

AHD-10B-1GX-4X1-4X-B

Arrester Type

AHD = Arrester Heavy Duty

ARP = Arrester Riser Pole

*Add a - T for Titan or - D for Directional

kV Rating of Arrester

- 03 - 3kV 15 - 15kV
- 06 - 6kV 18 - 18kV
- 09 - 9kV 21 - 21kV 30 - 30kV
- 10 - 10kV 24 - 24kV 33 - 33kV
- 12 - 12kV 27 - 27kV 36 - 36kV

Housing Size

- A - Hsg A (3kV)
- B - Hsg B (6, 9, 10kV)
- C - Hsg C (12)
- D - Hsg D (15 & 18kV)
- E - Hsg E (21kV)
- F - Hsg F (24 & 27kV)
- G - Hsg G (30 & 33kV)
- H - Hsg H (36kV)

Isolator Bracket Size

- 1 - Size 1 Isolator (3-10kV)
- 2 - Size 2 Isolator (12-15kV)
- 3 - Size 3 Isolator (18-27kV)

Ground Lead Disconnect

- G - with GLD
- X - without GLD

Mounting Bracket options

- A - Nema A Crossarm T - Top Mount Crossarm Bracket
- B - Nema B Crossarm X - No Bracket
- C - Transformer, small
- D - Transformer, medium
- E - Transformer, large

Hardware (Top of Arrester)

- 1 - SS nut, 4-corner, flat wash, lock wash
- 2 - SS nut, two 4-corner, lock wash
- 3 - Si Bronze nut, 4-corner, flat wash, lock wash
- 4 - Si Bronze nut, two 4-corner, lock wash
- 5 - SS nut, lock wash, flat wash
- 6 - Si Bronze nut, lock wash, flat wash
- X - No hardware

Line Lead (Top of Arrester)

- A - 18" #6 Insulated Wire Lead, strip 1.25" both ends
- B - 18" #6 Insulated Wire Lead, strip 1.25"/ ring term
- C - 18" #6 Insulated Wire Lead, 2 ring term
- D - Overhead Primary Tap - #2-556 AI or Cu
- E - 84" #6 Insulated Wire Lead, strip 1.25"/ ring term
- F - 12" #4 Tinned Copper Braided Conductor
- X - No line term. wire

Additional Options

- B - Boss Mounting Hardware (only with mounting brackets options C, D, & E)
- W - Wildlife Isolator Bracket Cover

Ground Lead (Bottom)

- A - 18" #6 wire lead, strip 1.25" both ends
- B - 18" #6 wire lead, strip 1.25"/ ring term
- C - 18" #6 wire lead, 2 ring term
- D - 12" copper strap
- X - No ground term, wire

Hardware (Bottom)

- 1 - SS nut, 4-corner, flat wash, lock wash
- 2 - SS nut, two 4-corner, flat wash, lock wash
- 3 - Si Bronze nut, 4-corner, flat wash, lock wash
- 4 - Si Bronze nut, two 4-corner, lock wash
- 5 - SS nut, lock wash, flat wash
- 6 - Si Bronze nut, lock wash, flat wash
- X - No hardware

Top (options)

- 1 - Wildlife protection cap
- 2 - Flipper fuse kit
- X - No option



ALUMA-FORM®

3625 Old Getwell Rd. / Memphis, TN 38118 / P.O. Box 18555 / Memphis, TN 38181-0555 / Phone 901-362-0100 / Fax 901-794-9515

www.alumaform.com

©2020 Aluma-Form, Inc. 7/20



ALUMA-FORM®

Line Lead Option



**Overhead Primary Tap
#2-556 Al or Cu**



ALUMA-FORM®

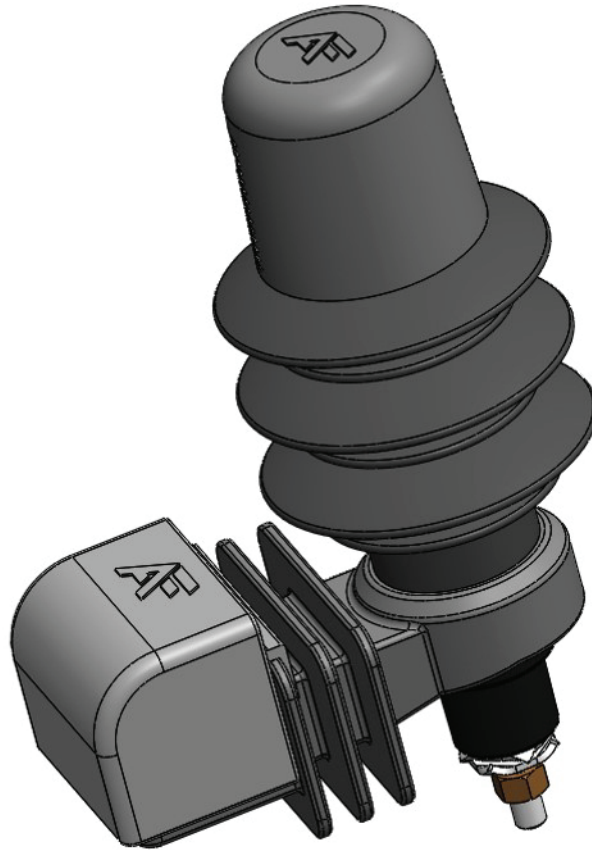
3625 Old Getwell Rd. / Memphis, TN 38118 / P.O. Box 18555 / Memphis, TN 38181-0555 / Phone 901-362-0100 / Fax 901-794-9515
www.alumaform.com

©2020 Aluma-Form, Inc. 7/20



ALUMA-FORM®

Isolator Bracket Cover Option



Covers bolt head on isolator bracket connection to prevent wildlife from using as a grounding point.



ALUMA-FORM®

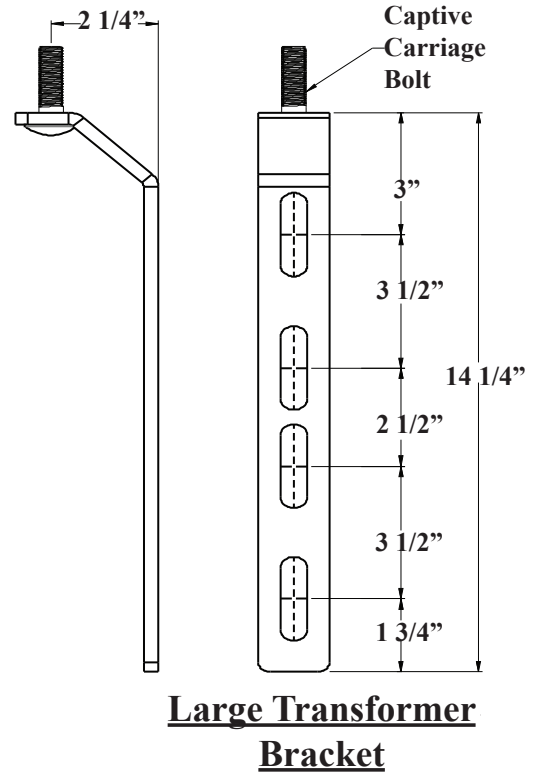
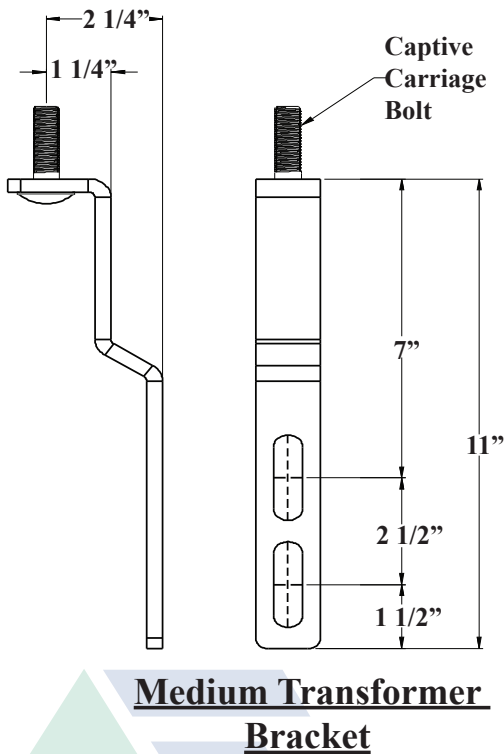
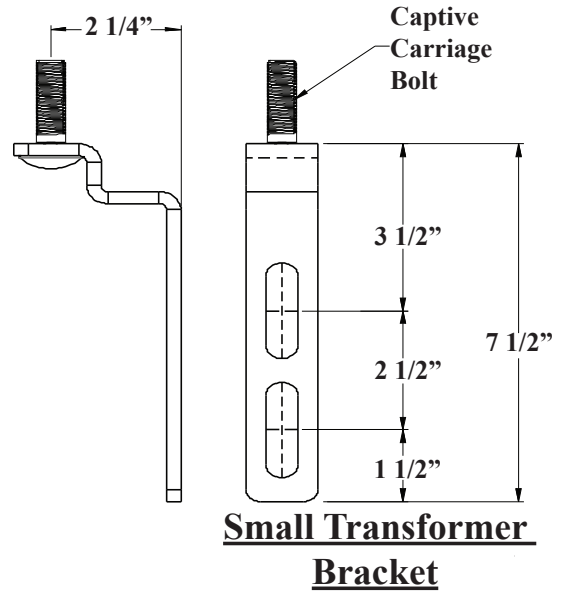
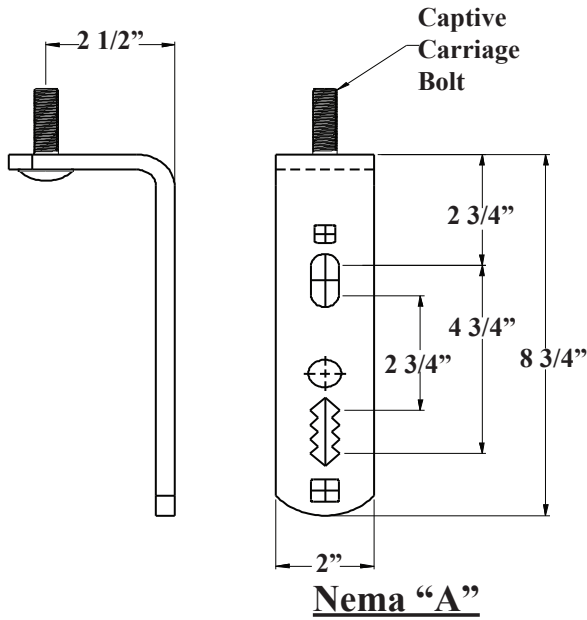
3625 Old Getwell Rd. / Memphis, TN 38118 / P.O. Box 18555 / Memphis, TN 38181-0555 / Phone 901-362-0100 / Fax 901-794-9515
www.alumaform.com

©2020 Aluma-Form, Inc. 7/20



ALUMA-FORM®

Arrester Mounting Options



ALUMA-FORM®
3625 Old Getwell Rd. / Memphis, TN 38118 / P.O. Box 18555 / Memphis, TN 38181-0555 / Phone 901-362-0100 / Fax 901-794-9515
www.alumaform.com

©2020 Aluma-Form, Inc. 7/20



Cutout / Arrester Combo

ALUMA-FORM®



Cutout Style

Arrester Style

C P G 1 - 1 - 1 - E B - 1 - H 10

Cutout

Porcelain
Silicone

Galv
Stainless Steel

1 = 15KV
2 = 27KV
3 = 35KV

1 = 100A
2 = 200A
3 = 300A

1 = 110 bil
2 = 125 bil
5 = 150 bil

Connector

S = Small Eye
E = Large Eye
C = Clamshell
N = None

Bracket

B = Nema B
X = Extended B
N = None

1 = 10kA (15kv)
2 = 12kA (27kv)
6 = 16kA (15kv)
8 = 8kA (27kv)

H = Heavy
Duty

R = Riser
Pole

03 = 3kV
06 = 6kV
09 = 9kV
10 = 10kV
12 = 12kV
15 = 15kV
18 = 18kV
21 = 21kV
24 = 24kV
30 = 30kV
33 = 33kV
36 = 36kV

*Please note that the arrester style for the combo unit is our standard arrester housing and isolator bracket with a ground lead disconnect, wild life protection cap, no line or ground lead and with the following hardware on top and bottom: SS nut, 4-corner, flat washer, lock washer.

**Different styles and configurations can be ordered. Please contact your regional sales manager or sales agency for details.



ALUMA-FORM®
3625 Old Getwell Rd. / Memphis, TN 38118 / P.O. Box 18555 / Memphis, TN 38181-0555 / Phone 901-362-0100 / Fax 901-794-9515
www.alumaform.com

©2020 Aluma-Form, Inc. 7/20



NOTES

ALUMA-FORM[®]



ALUMA-FORM[®]
3625 Old Getwell Rd. / Memphis, TN 38118 / P.O. Box 18555 / Memphis, TN 38181-0555 / Phone 901-362-0100 / Fax 901-794-9515
www.alumaform.com

©2020 Aluma-Form, Inc. 7/20



NOTES

ALUMA-FORM®



ALUMA-FORM®
3625 Old Getwell Rd. / Memphis, TN 38118 / P.O. Box 18555 / Memphis, TN 38181-0555 / Phone 901-362-0100 / Fax 901-794-9515
www.alumaform.com

©2020 Aluma-Form, Inc. 7/20

Aluma - Form, INC.



ALUMA-FORM®
3625 Old Getwell Rd. / Memphis, TN 38118 / P.O. Box 18555 / Memphis, TN 38181-0555 / Phone 901-362-0100 / Fax 901-794-9515
www.alumaform.com

©2020 Aluma-Form, Inc. 7/20