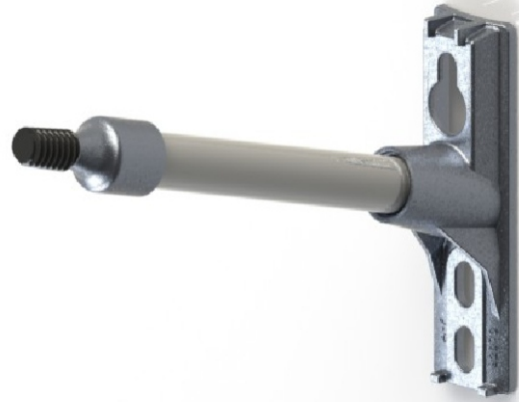




Fiberglass Conductor Supports





ALUMA-FORM®

Fiberglass Conductor Supports

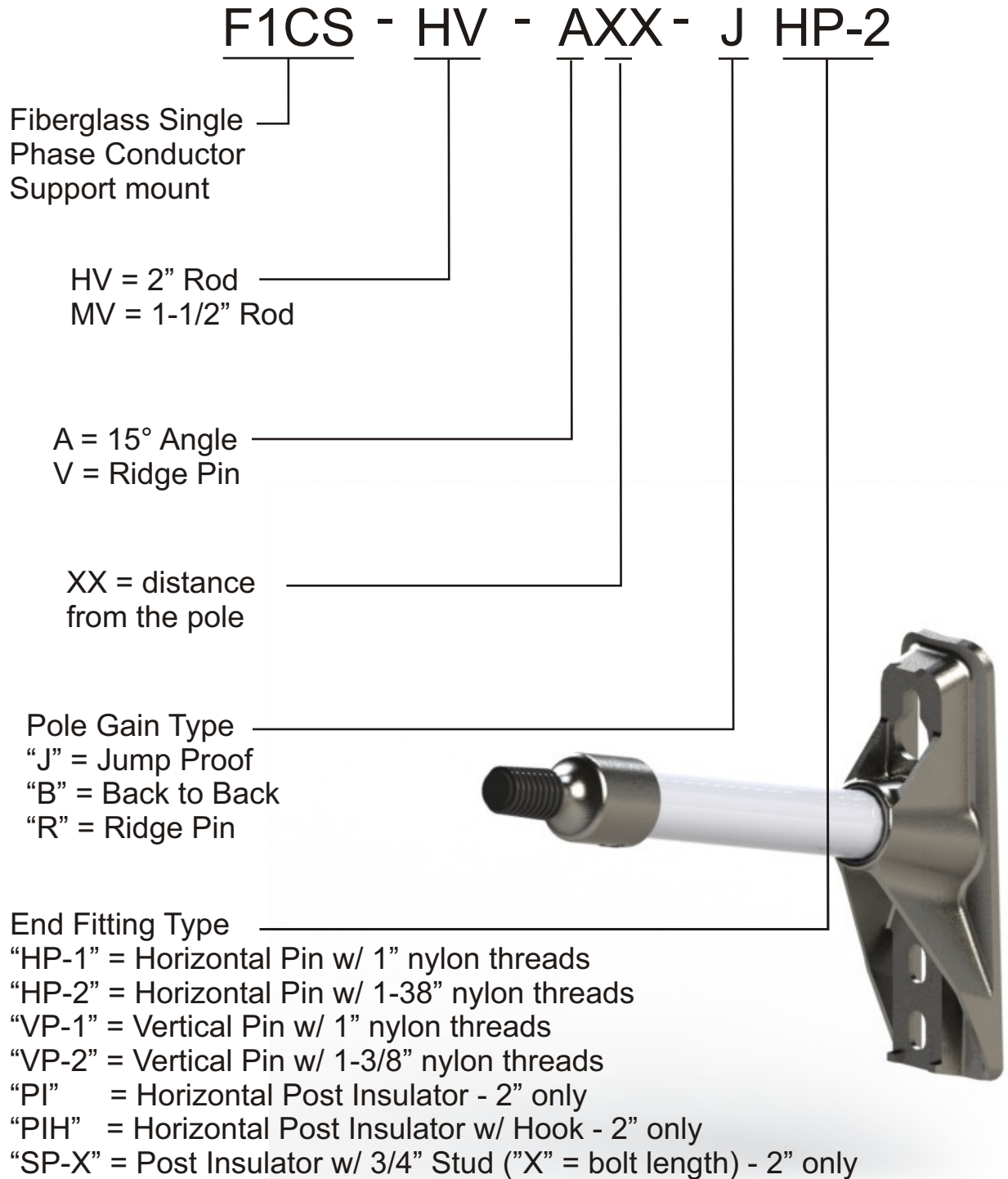
Index

Single Phase Naming Conventions	1
1-1/2" Vertical Pin w/Hook	2
2" Vertical Pin w/ Hook	3
1-1/2" Horizontal Pin	4
2" Horizontal Pin	5
1-1/2" Ridge Pin	6
2" Post Insulator	7
Two Phase Naming Conventions	8
1-1/2" Two Phase Vertical Pin	9
2" Two Phase Vertical Pin	10
2" Two Phase Horizontal Pin	11



ALUMA-FORM®

Fiberglass Conductor Supports





Fiberglass Conductor Supports

ALUMA-FORM®

1-1/2" Conductor Supports

Vertical Pin w/ Hook

Material Specifications

Pole Gain

- 65-45-12 Ductile Iron, hot-dipped galvanized per ASTM A153 (8" t& 10" mounting centers)
- Back-to-back & Jump proof pole gain options
- Accepts 5/8" pole mounting hardware
- Can be banded using the Aluma-Form Bolt-A-Band banding system

End Fitting

- 65-45-12 Ductile Iron, hot-dipped galvanized per ASTM A153 with Nylon Threads

Fiberglass Rod

- 1-1/2" diameter Super-Smooth, veiled gray polyester rod
With added ultraviolet protection

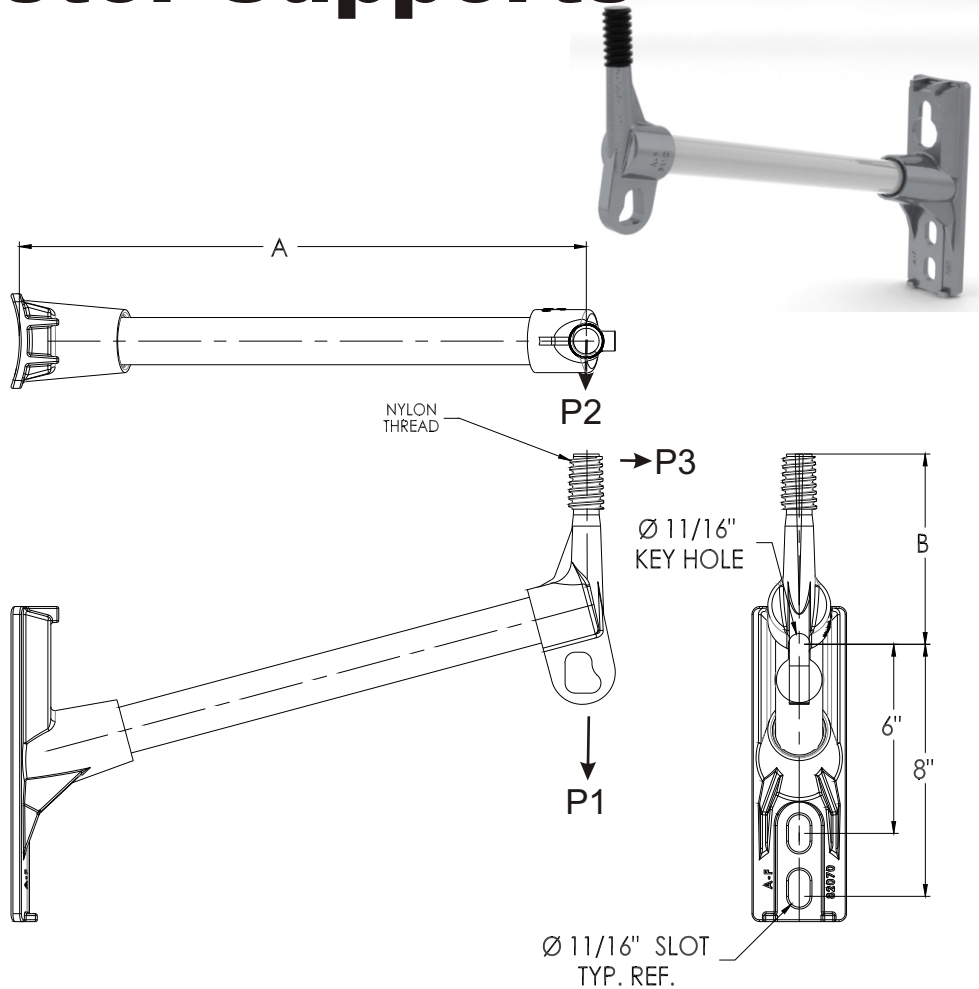
Pins Threads

- Pins are available with 1" or 1-3/8"

Nylon Threads.

"-1" = 1" Nylon Threads

"-2" = 1-3/8" Nylon Threads



1-1/2" Conductor Support - Vertical Pin w/ Hook								
Catalog Number	Rod Diameter	"A"	"B"	Nylon Thread Diameter	Ultimate Load (lbs) P1 Vert	Ultimate Load (lbs) P2 Long	Ultimate Load (lbs) P3 Trans	Weight (lbs)
Back to Back Pole Gain								
F1CS-MV-A12-BVP-1	1-1/2"	12	4 1/2	1"	2100	1300	2000	7.1
F1CS-MV-A13-BVP-1	1-1/2"	13	4 5/8	1"	1950	1200	2000	7.2
F1CS-MV-A15-BVP-1	1-1/2"	15	5 1/4	1"	1700	1100	2000	7.5
F1CS-MV-A18-BVP-1	1-1/2"	18	6	1"	1500	900	2000	7.9
F1CS-MV-A21-BVP-1	1-1/2"	21	6 3/4	1"	1200	800	2000	8.3
F1CS-MV-A24-BVP-1	1-1/2"	24	7 1/2	1"	1000	700	2000	8.7
Jump Proof Pole Gain								
F1CS-MV-A12-JVP-1	1-1/2"	12	4 1/2	1"	2100	1300	2000	7.1
F1CS-MV-A13-JVP-1	1-1/2"	13	4 5/8	1"	1950	1200	2000	7.2
F1CS-MV-A15-JVP-1	1-1/2"	15	5 1/4	1"	1700	1100	2000	7.5
F1CS-MV-A18-JVP-1	1-1/2"	18	6	1"	1500	900	2000	7.9
F1CS-MV-A21-JVP-1	1-1/2"	21	6 3/4	1"	1200	800	2000	8.3
F1CS-MV-A24-JVP-1	1-1/2"	24	7 1/2	1"	1000	700	2000	8.7

Notes:

1. Custom lengths available, contact factory or local sales representative.
2. Silicone Coating - contact factory or local sales representative
3. For 1-3/8" Nylon Threads change "-1" to "-2" on the end of the catalog name.



Fiberglass Conductor Supports

ALUMA-FORM®

2" Conductor Supports

Vertical Pin w/ Hook

Material Specifications

Pole Gain

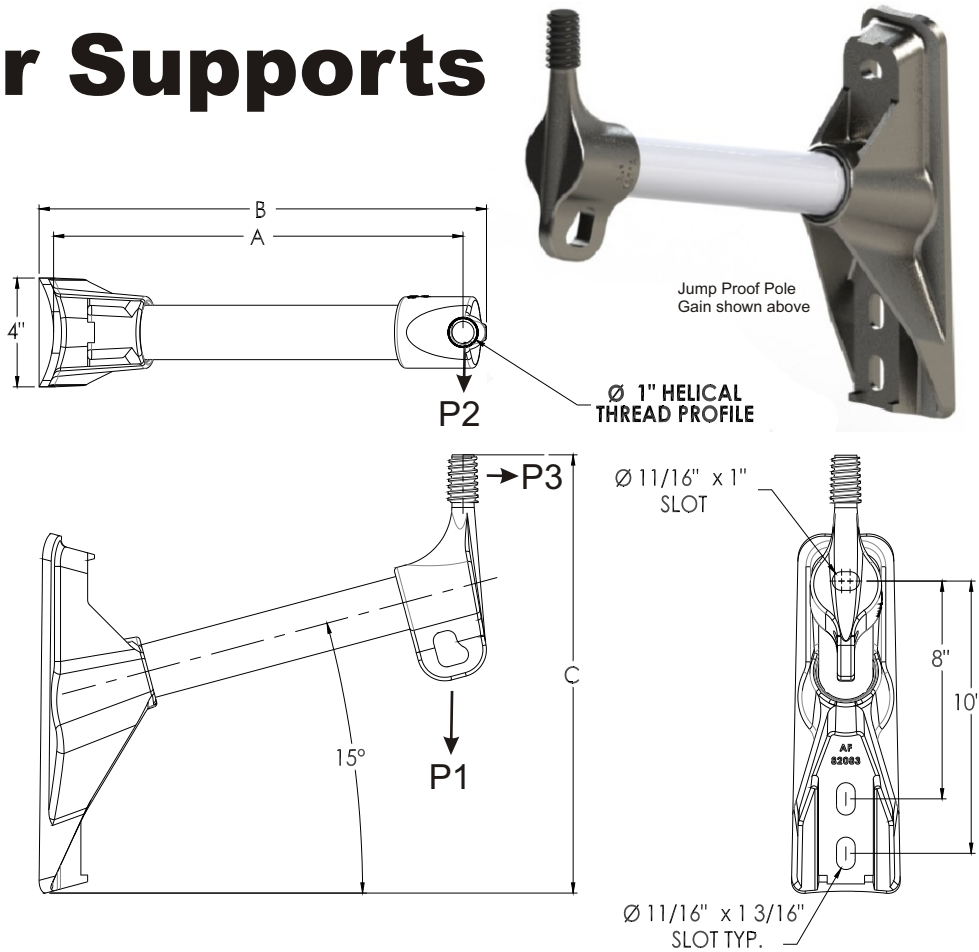
- 65-45-12 Ductile Iron, hot-dipped galvanized per ASTM A153 (8" t& 10" mounting centers)
- Back-to-back & Jump proof pole gain options
- Accepts 5/8" pole mounting hardware
- Can be banded using the Aluma-Form Bolt-A-Band banding system

End Fitting

- 65-45-12 Ductile Iron, hot-dipped galvanized per ASTM A153 with Nylon Threads

Fiberglass Rod

- 2" diameter Super-Smooth, veiled gray polyester rod with added ultraviolet protection



Conductor Supports - Vertical Pins with Hook								
Catalog Number	A	B	C	Nylon Pin Diameter	Min Ultimate Load (lbs) P1 Vert	Min Ultimate Load (lbs) P2 Long	Min Ultimate Load (lbs) P3 Trans	Weight (lbs)
1" Nylon Threads								
F1CS-HV-A18-JVP-1	18	19 3/8	16-7/8	1"	2250	1950	2500	14.9
F1CS-HV-A21-JVP-1	21	22 3/8	17-11/16	1"	2150	1850	2500	15.3
F1CS-HV-A24-JVP-1	24	25 3/8	18-1/2	1"	2100	1800	2500	15.7
F1CS-HV-A30-JVP-1	30	31 3/8	31-1/2	1"	1800	1750	2500	16.4
F1CS-HV-A18-BVP-1	18	19 3/8	16-7/8	1"	2250	1950	2500	14.9
F1CS-HV-A21-BVP-1	21	22 3/8	17-11/16	1"	2150	1850	2500	15.3
F1CS-HV-A24-BVP-1	24	25 3/8	18-1/2	1"	2100	1800	2500	15.7
F1CS-HV-A30-BVP-1	30	31 3/8	31-1/2	1"	1800	1750	2500	16.4
1-3/8" Nylon Threads								
F1CS-HV-A18-JVP-2	18	19 3/8	16-7/8	1-3/8"	2250	1950	2500	14.9
F1CS-HV-A21-JVP-2	21	22 3/8	17-11/16	1-3/8"	2150	1850	2500	15.3
F1CS-HV-A24-JVP-2	24	25 3/8	18-1/2	1-3/8"	2100	1800	2500	15.7
F1CS-HV-A30-JVP-2	30	31 3/8	31-1/2	1-3/8"	1800	1750	2500	16.4
F1CS-HV-A18-BVP-2	18	19 3/8	16-7/8	1-3/8"	2250	1950	2500	14.9
F1CS-HV-A21-BVP-2	21	22 3/8	17-11/16	1-3/8"	2150	1850	2500	15.3
F1CS-HV-A24-BVP-2	24	25 3/8	18-1/2	1-3/8"	2100	1800	2500	15.7
F1CS-HV-A30-BVP-2	30	31 3/8	31-1/2	1-3/8"	1800	1750	2500	16.4

Notes:

1. Custom lengths available, contact factory or local sales representative.
2. Silicone Coating - contact factory or local sales representative



ALUMA-FORM®

Fiberglass Conductor Supports

1-1/2" Conductor Supports

Horizontal Pin

Material Specifications

Pole Gain

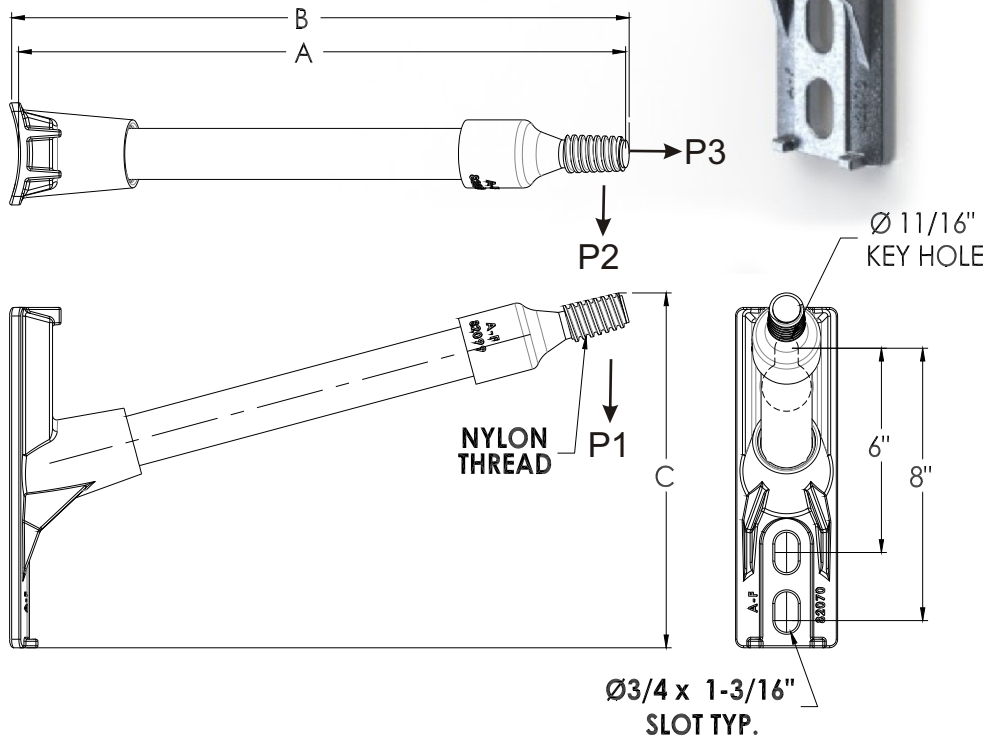
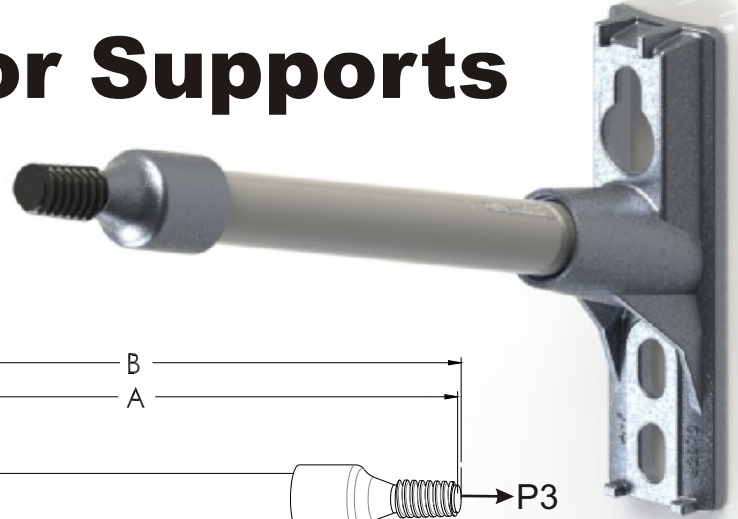
- 65-45-12 Ductile Iron, hot-dipped galvanized per ASTM A153 (8" t& 10" mounting centers)
- Back-to-back & Jump proof pole gain options
- Accepts 5/8" pole mounting hardware
- Can be banded using the Aluma-Form Bolt-A-Band banding system

End Fitting

- 65-45-12 Ductile Iron, hot-dipped galvanized per ASTM A153 with Nylon Threads
- -1 = 1" Nylon Threads
- -2 = 1-3/8" Nylon Threads

Fiberglass Rod

- 1-1/2" diameter Super-Smooth, veiled gray polyester rod with added ultraviolet protection



Conductor Supports - Horizontal Pin								
Catalog Number	A	B	C	Nylon Pin Diameter	Min Ultimate Load (lbs) P1 Vert	Min Ultimate Load (lbs) P2 Long	Min Ultimate Load (lbs) P3 Trans	Weight Ea (lbs)
1" Nylon Threads								
F1CS-MV-A12-BHP-1	12	12 7/16	8-7/8	1"	1800	1600	1500	7.1
F1CS-MV-A15-BHP-1	15	15 7/16	9-11/16	1"	1500	1400	1500	7.5
F1CS-MV-A18-BHP-1	18	18 7/16	10-1/2	1"	1200	1200	1500	7.9
F1CS-MV-A21-BHP-1	21	21 7/16	11-5/16	1"	1125	1125	1500	8.3
F1CS-MV-A24-BHP-1	24	24 7/16	12-1/16	1"	1050	1050	1500	8.7
F1CS-MV-A12-JHP-1	12	12 7/16	8-7/8	1"	1800	1600	1500	7.1
F1CS-MV-A15-JHP-1	15	15 7/16	9-11/16	1"	1500	1400	1500	7.5
F1CS-MV-A18-JHP-1	18	18 7/16	10-1/2	1"	1200	1200	1500	7.9
F1CS-MV-A21-JHP-1	21	21 7/16	11-5/16	1"	1125	1125	1500	8.3
F1CS-MV-A24-JHP-1	24	24 7/16	12-1/16	1"	1050	1050	1500	8.7

Notes:

1. Custom lengths available, contact factory or local sales representative.
2. For 1-3/8" Nylon Threads change the catalog name for "-1" to "-2".
3. Silicone Coating - contact factory or local sales representative

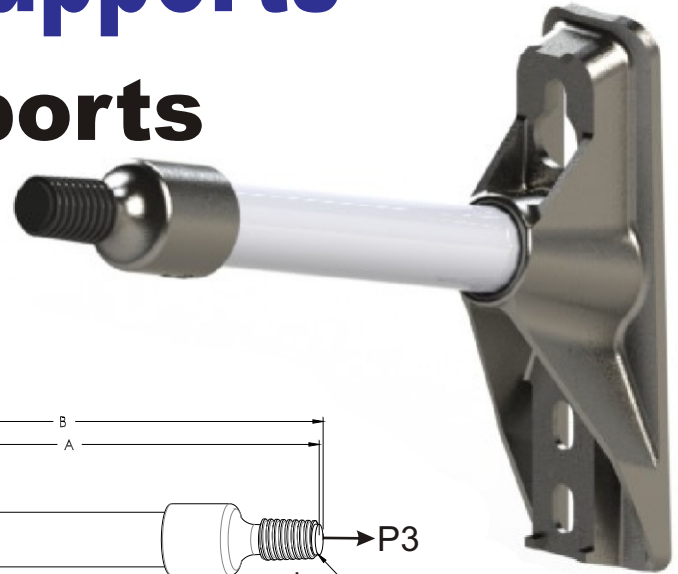


ALUMA-FORM®

Fiberglass Conductor Supports

2" Conductor Supports

Horizontal Pin



Material Specifications

Pole Gain

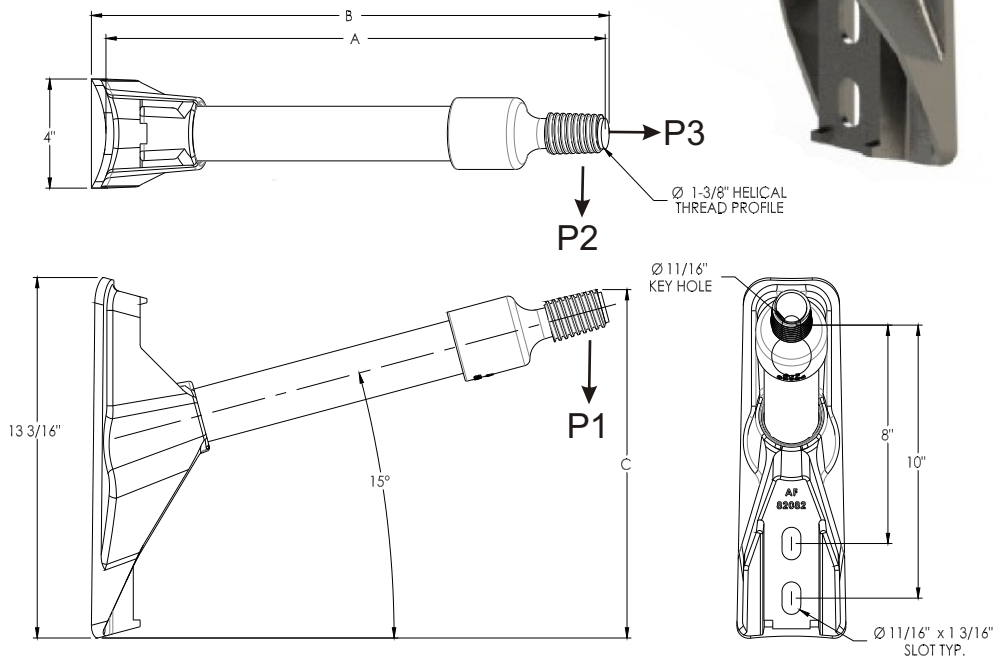
- 65-45-12 Ductile Iron, hot-dipped galvanized per ASTM A153 (8" t& 10" mounting centers)
- Back-to-back & Jump proof pole gain options
- Accepts 5/8" pole mounting hardware
- Can be banded using the Aluma-Form Bolt-A-Band banding system

End Fitting

- 65-45-12 Ductile Iron, hot-dipped galvanized per ASTM A153 with Nylon Threads

Fiberglass Rod

- 2" diameter Super-Smooth, veiled gray polyester rod with added ultraviolet protection



Conductor Supports - Horizontal Pin								
Catalog Number	A	B	C	Nylon Pin Diameter	Min Ultimate Load (lbs) P1 Vert	Min Ultimate Load (lbs) P2 Long	Min Ultimate Load (lbs) P3 Trans	Weight Ea (lbs)
1" Nylon Threads								
F1CS-HV-A18-JHP-1	18	18 3/4	12-11/16	1"	2000	1500	1500	13.5
F1CS-HV-A21-JHP-1	21	21 3/4	13-1/2	1"	1875	1350	1500	13.8
F1CS-HV-A24-JHP-1	24	24 3/4	14-5/16	1"	1750	1200	1500	14.2
F1CS-HV-A18-BHP-1	18	18 3/4	12-11/16	1"	2000	1500	1500	13.5
F1CS-HV-A21-BHP-1	21	21 3/4	13-1/2	1"	1875	1350	1500	13.8
F1CS-HV-A24-BHP-1	24	24 3/4	14-5/16	1"	1750	1200	1500	14.2
1-3/8" Nylon Threads								
F1CS-HV-A18-JHP-2	18	18 3/4	12-11/16	1"-3/8	2000	1500	1500	13.5
F1CS-HV-A21-JHP-2	21	21 3/4	13-1/2	1"-3/8	1875	1350	1500	13.8
F1CS-HV-A24-JHP-2	24	24 3/4	14-5/16	1"-3/8	1750	1200	1500	14.2
F1CS-HV-A18-BHP-2	18	18 3/4	12-11/16	1"-3/8	2000	1500	1500	13.5
F1CS-HV-A21-BHP-2	21	21 3/4	13-1/2	1"-3/8	1875	1350	1500	13.8
F1CS-HV-A24-BHP-2	24	24 3/4	14-5/16	1"-3/8	1750	1200	1500	14.2

Notes:

1. Custom lengths available, contact factory or local sales representative.
2. Silicone Coating - contact factory or local sales representative



Fiberglass Conductor Supports

ALUMA-FORM®

Ridge Pin Conductor Supports 1-1/2" & 2" Diameters

Material Specifications

Pole Gain

- 65-45-12 Ductile Iron, hot-dipped galvanized per ASTM A153 (5" to 8" mounting centers)
- Accepts 5/8" pole mounting hardware

End Fitting

- 65-45-12 Ductile Iron, hot-dipped galvanized per ASTM A153 with Nylon Threads

Fiberglass Rod

- 1-1/2" or 2" diameter Super-Smooth, veiled gray polyester rod with added ultraviolet protection

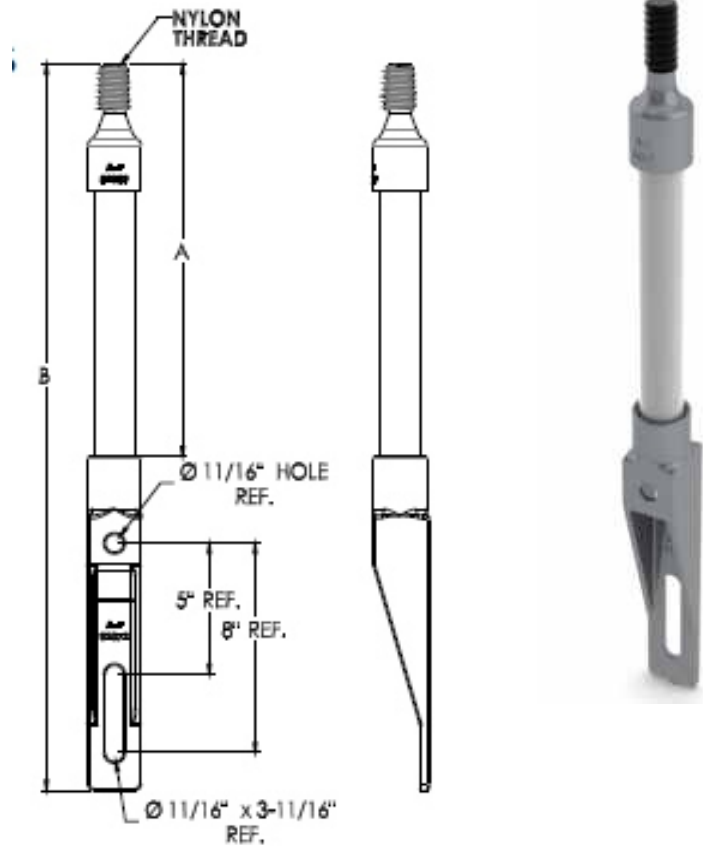
Pins Threads

- Pins are available with 1" or 1-3/8" Nylon Threads.

Nylon Threads.

"-1" = 1" Nylon Threads

"-2" = 1-3/8" Nylon Threads



Catalog Number	A"	B"	Rod Diameter	Ultimate Load (lbs) P1 Vert	Ultimate Load (lbs) P2 Long	Ultimate Load (lbs) P3 Trans	Weight (lbs)
F1CS-MV-V13-RHP-1	13	25 3/4	1-1/2"	2500	1600	1600	6.5
F1CS-MV-V15-RHP-1	15	27 3/4	1-1/2"	2500	1500	1500	6.7
F1CS-MV-V18-RHP-1	18	30 3/4	1-1/2"	2500	1400	1400	7.1
F1CS-MV-V21-RHP-1	21	33 3/4	1-1/2"	2500	1200	1200	7.5
F1CS-MV-V23-RHP-1	23	35 3/4	1-1/2"	2500	1000	1000	7.7
F1CS-HV-V18-RHP-1	18	30 3/4	2"	2500	2150	2150	12.1
F1CS-HV-V24-RHP-1	24	36 3/4	2"	2500	1750	1750	12.9
F1CS-HV-V30-RHP-1	30	42 3/4	2"	2500	1300	1300	14.6
F1CS-HV-V36-RHP-1	36	48 3/4	2"	2500	1100	1100	15.9

Notes:

1. Custom lengths available, contact factory or local sales representative.
2. For 1-3/8" Nylon Threads change the catalog name for "-1" to "-2".
3. Silicone Coating - contact factory or local sales representative



Fiberglass Conductor Supports

ALUMA-FORM®

2" Post Insulator

Ridge Pin

Material Specifications

Pole Gain

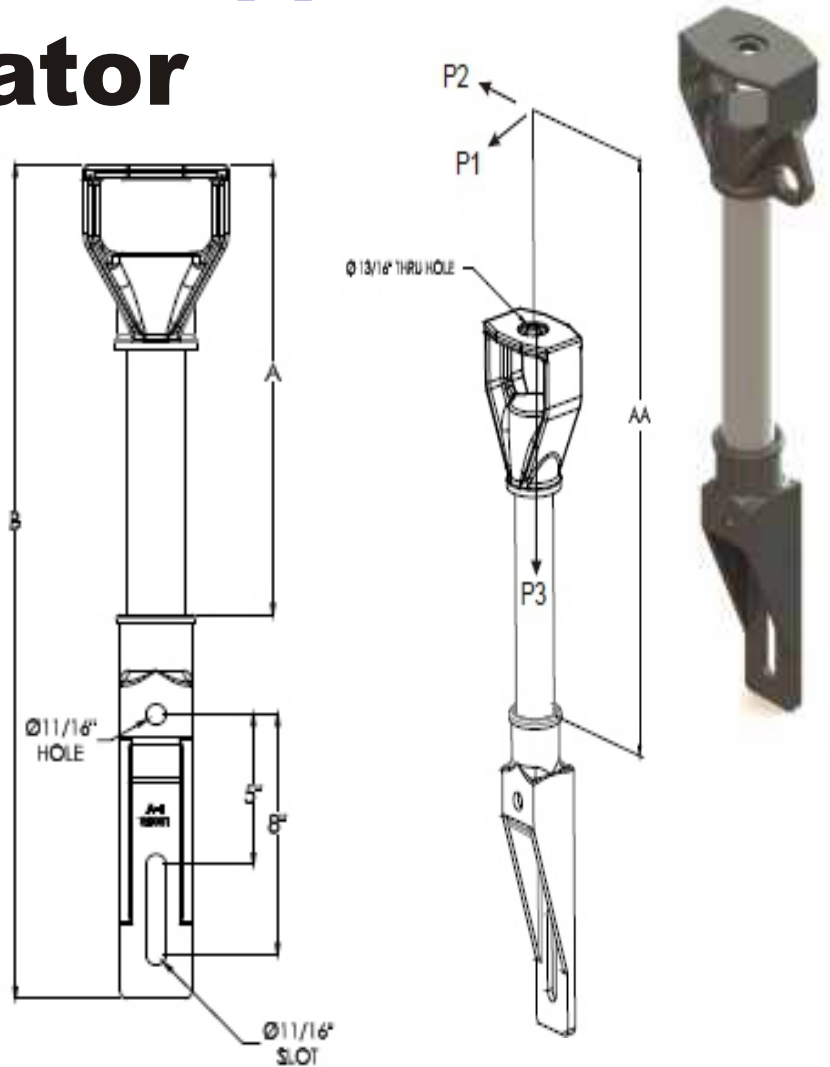
- 65-45-12 Ductile Iron, hot-dipped galvanized per ASTM A153 (5" to 8" mounting centers)
- Accepts 5/8" pole mounting hardware

End Fitting

- 65-45-12 Ductile Iron, hot-dipped galvanized per ASTM A153

Fiberglass Rod

- 2" diameter Super-Smooth, veiled gray polyester rod with added ultraviolet protection



Catalog Number	Rod Diameter	Hook	Length "A"	Length "AA"	Length "B"	Ultimate Load P1 (lbs)	Ultimate Load P2 (lbs)	Ultimate Load P3 (lbs)	Weight (lbs)
F1CS-HV-V10-RPI	2	No	10	19 3/8	22-13/16"	2000	2000	5000	13.6
F1CS-HV-V14-RPI	2	No	14	23 3/8	26-13/16"	2000	2000	5000	14
F1CS-HV-V18-RPI	2	No	18	27 3/8	30-13/16"	1500	1500	5000	15
F1CS-HV-V24-RPI	2	No	24	33 3/8	36-13/16"	1500	1500	5000	15.2
F1CS-HV-V10-RPIH	2	Yes	10	19 3/8	22-13/16"	2000	2000	5000	14
F1CS-HV-V14-RPIH	2	Yes	14	23 3/8	26-13/16"	2000	2000	5000	14.4
F1CS-HV-V18-RPIH	2	Yes	18	27 3/8	30-13/16"	1500	1500	5000	14.9
F1CS-HV-V24-RPIH	2	Yes	24	33 3/8	36-13/16"	1500	1500	5000	15.6

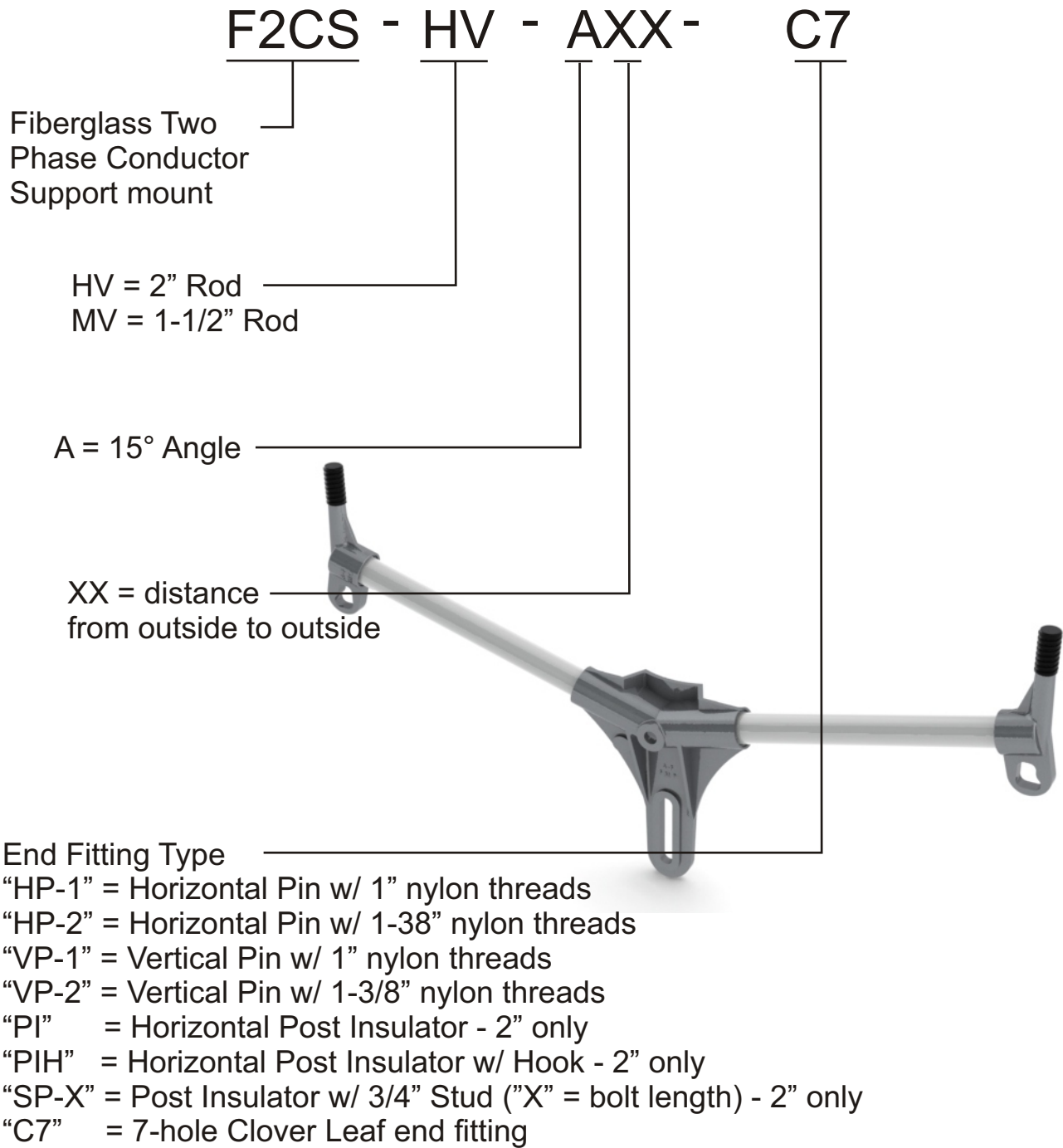
Notes:

1. Custom lengths available, contact factory or local sales representative.



ALUMA-FORM®

Fiberglass Conductor Supports





Fiberglass Conductor Supports

ALUMA-FORM®

1-1/2" Conductor Supports

2-Phase Vertical Pin

Material Specifications

Pole Gain

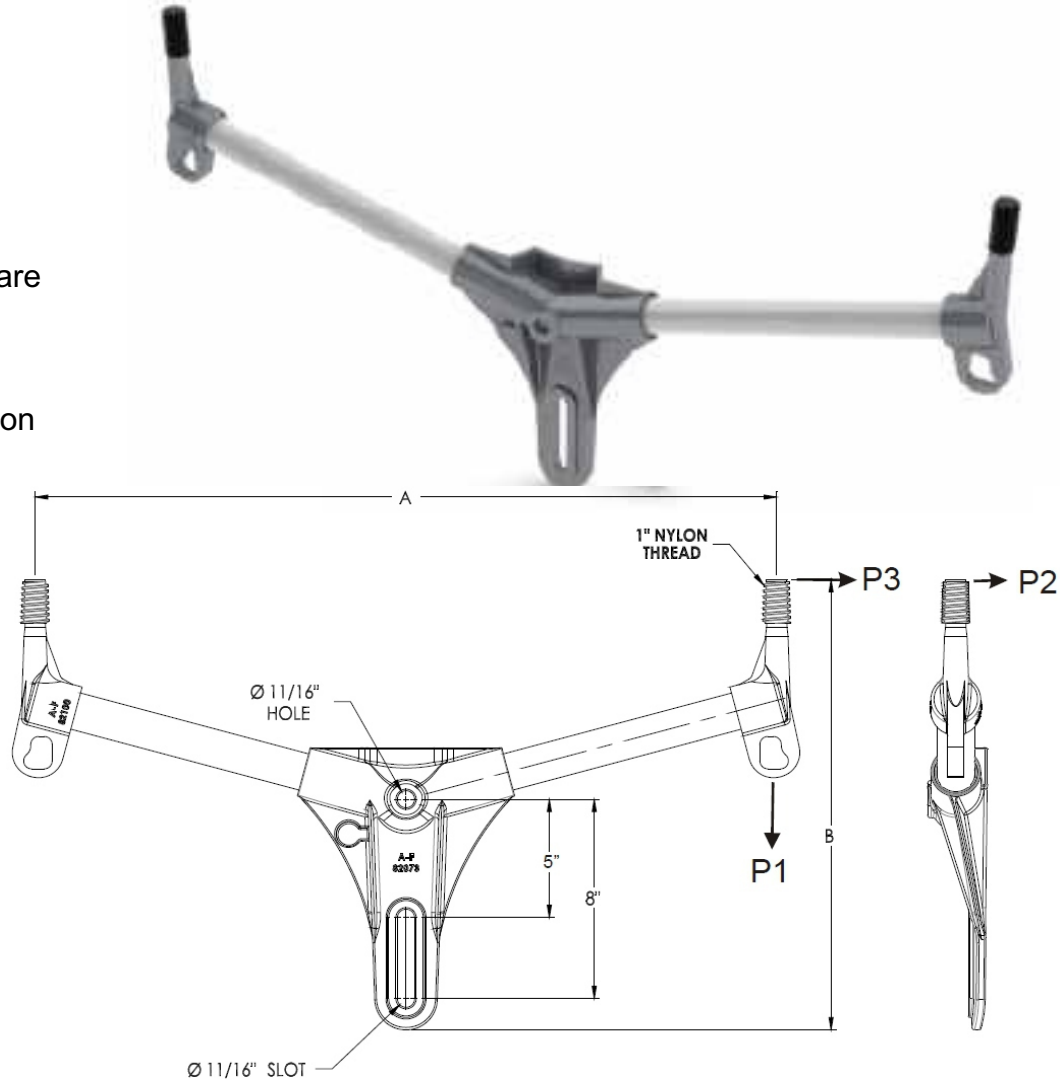
- 65-45-12 Ductile Iron, hot-dipped galvanized per ASTM A153 (5" to 8" mounting centers)
- Accepts 5/8" pole mounting hardware

End Fitting

- 65-45-12 Ductile Iron, hot-dipped galvanized per ASTM A153 with Nylon Threads
- "-1" = 1" Nylon Threads
- "-2" = 1-3/8" Nylon Threads

Fiberglass Rod

- 1-1/2" diameter Super-Smooth, veiled gray polyester rod with added ultraviolet protection



Catalog Number	A	B	Rod Diameter	Ultimate Load (lbs) P1 Vert	Ultimate Load (lbs) P2 Long	Ultimate Load (lbs) P3 Trans	Weight (lbs)
F2CS-MV-A36-VP-1	36"	19"	1.5	1500	900	2000	15.3
F2CS-MV-A40-VP-1	40"	19-1/2"	1.5	1300	850	2000	15.8
F2CS-MV-A48-VP-1	48"	20-1/2"	1.5	1000	700	2000	16.8
F2CS-MV-A60-VP-1	60"	22-1/4"	1.5	800	550	2000	18.4

Notes:

1. Custom lengths available, contact factory or local sales representative.
2. For 1-3/8" Nylon Threads change the catalog name for "-1" to "-2".



Fiberglass Conductor Supports

ALUMA-FORM®

2" Conductor Supports

2-Phase Vertical Pin

Material Specifications

Pole Gain

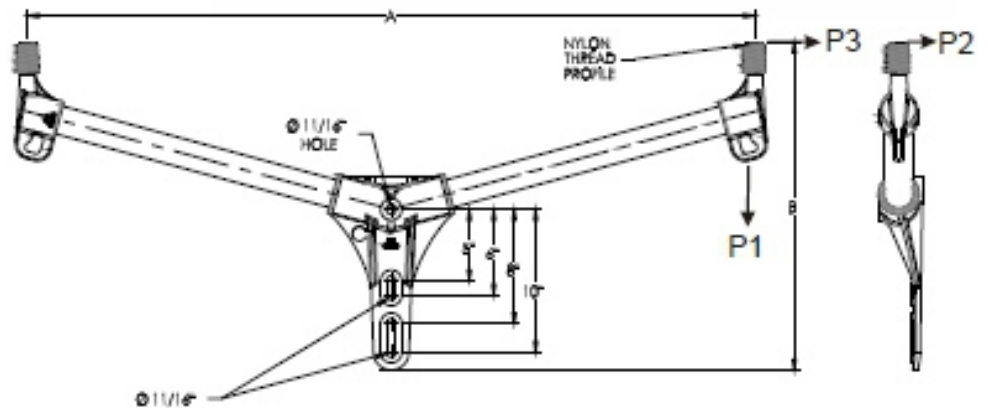
- 65-45-12 Ductile Iron, hot-dipped galvanized per ASTM A153 (5" to 8" mounting centers)
- Accepts 5/8" pole mounting hardware

End Fitting

- 65-45-12 Ductile Iron, hot-dipped galvanized per ASTM A153 with Nylon Threads
- "-1" = 1" Nylon Threads
- "-2" = 1-3/8" Nylon Threads

Fiberglass Rod

- 2" diameter Super-Smooth, veiled gray polyester rod with added ultraviolet protection



Catalog Number	A	B	Rod Diameter	Ultimate Load (lbs) P1 Vert	Ultimate Load (lbs) P2 Long	Ultimate Load (lbs) P3 Trans	Weight (lbs)
F2CS-HV-A36-VP-1	36"	21"	2	2550	2000	2500	21.5
F2CS-HV-A40-VP-1	40"	21-3/4'	2	2400	1950	2500	22.2
F2CS-HV-A48-VP-1	48"	22-1/2'	2	2250	1900	2500	22.9
F2CS-HV-A60-VP-1	60"	24-1/4'	2	1950	1800	2500	24.4
F2CS-HV-A72-VP-1	72"	25-3/4'	2	1800	1750	2500	25.8

Notes:

1. Custom lengths available, contact factory or local sales representative.
2. For 1-3/8" Nylon Threads change the catalog name for "-1" to "-2".



Fiberglass Conductor Supports

ALUMA-FORM®

2" Conductor Supports

2-Phase Horizontal Pin

Material Specifications

Pole Gain

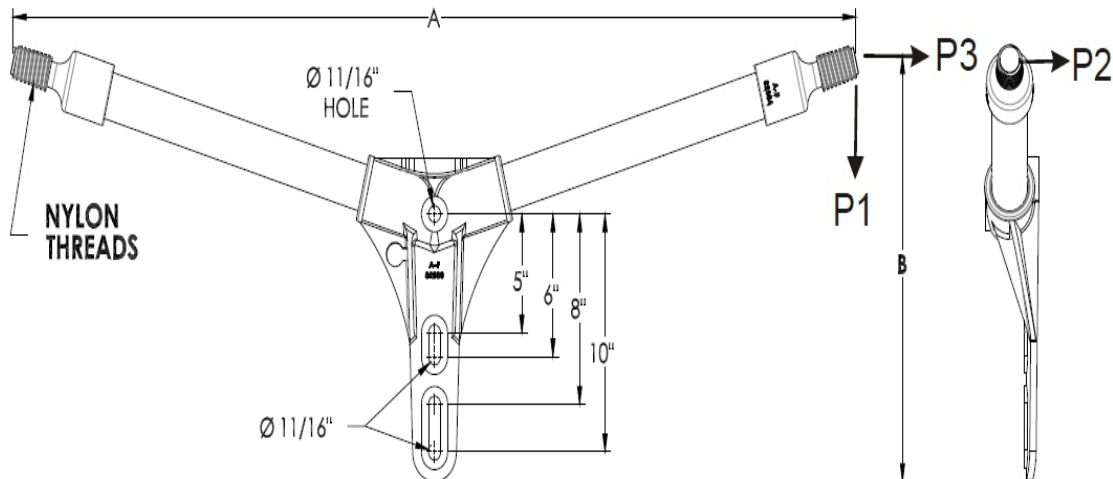
- 65-45-12 Ductile Iron, hot-dipped galvanized per ASTM A153 (5" to 8" mounting centers)
- Accepts 5/8" pole mounting hardware

End Fitting

- 65-45-12 Ductile Iron, hot-dipped galvanized per ASTM A153 with Nylon Threads
- "-1" = 1" Nylon Threads
- "-2" = 1-3/8" Nylon Threads

Fiberglass Rod

1/2" diameter Super-Smooth, veiled gray polyester rod with added ultraviolet protection



Catalog Number	A	B	Rod Diameter	Ultimate Load (lbs) P1 Vert	Ultimate Load (lbs) P2 Long	Ultimate Load (lbs) P3 Trans	Weight (lbs)
F2CS-HV-A36-HP-1	36"	21"	2	2500	2000	2500	21.5
F2CS-HV-A40-HP-1	40"	21-3/4"	2	2400	1950	2500	22.2
F2CS-HV-A48-HP-1	48"	22-1/2"	2	2250	1900	2500	22.9
F2CS-HV-A60-HP-1	60"	24-1/4"	2	1950	1800	2500	24.4
F2CS-HV-A72-HP-1	72"	25-3/4"	2	1800	1750	2500	25.8

Notes:

1. Custom lengths available, contact factory or local sales representative.
2. For 1-3/8" Nylon Threads change the catalog name for "-1" to "-2".



ALUMA-FORM®

3625 Old Getwell Rd. / Memphis, TN 38118 / P.O. Box 18555 / Memphis, TN 38181-0555 / Phone 901-362-0100 / Fax 901-794-9515
www.alumaform.com

©2011 Aluma Form, Inc.